

HORN TWEETER LOUDSPEAKER GDWT 9/80

13/4

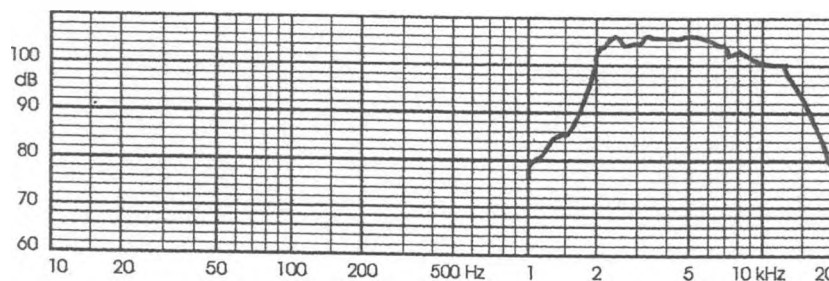
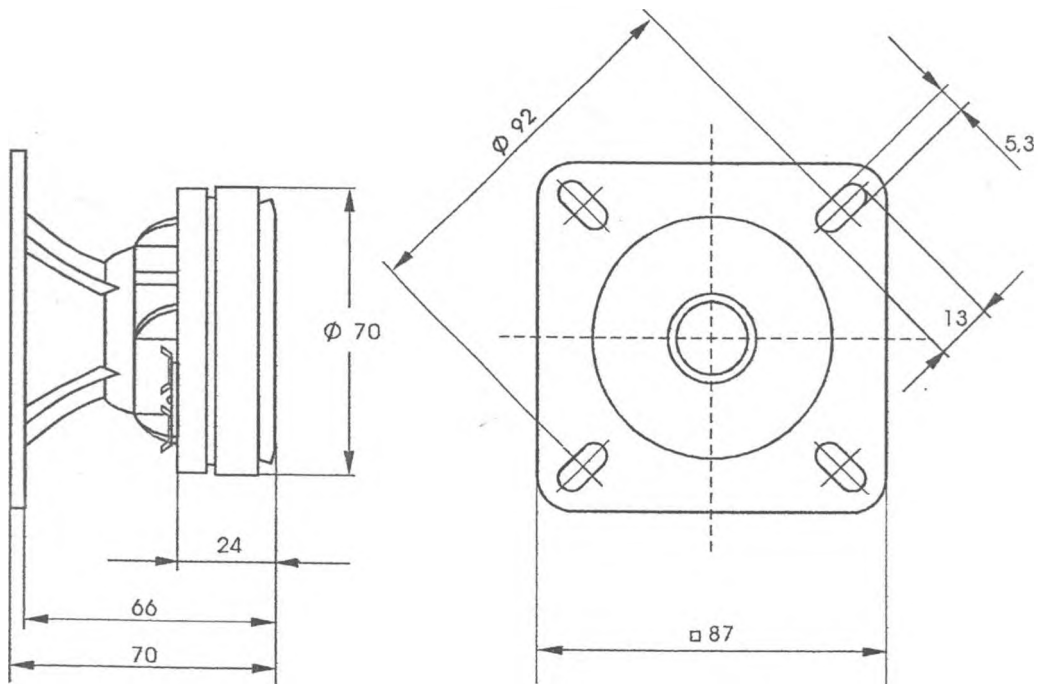
9 5155 001

TECHNICAL DATA

Rated impedance	4	8	Ω
Voice coil resistance	2,9	6,3	Ω
Rated frequency range		4 to 14	kHz
Resonance frequency		1,6	kHz
Recommended crossover frequency		4,5	kHz
Power handling capacity, P1/P2, measured with filter,		80/2,5	W
Max power		160/5	W
Sensitivity	102	100	dB
Flux density		1,16	T
Energy in air gap		106	mJ
Air-gap		25/3/0,815	mm
Voice coil height	3	1,9	mm
Magnet			
- material		ferrite	
- dimensions		70/32/10	mm
- mass		0,16	kg
Mass of loudspeaker		1,5	kg

AVAILABLE VERSIONS

- GDWT 9/80 - 4 Ω , catalogue number 9 5155 001 45
- GDWT 9/80 - 8 Ω , catalogue number 9 5155 001 05
- GDWT 9/80/3 - 8 Ω , catalogue number 9 5155 026 03
- GDWT 9/80/4 - 8 Ω , catalogue number 9 5155 026 01



FREQUENCY RESPONSE CURVE
Measured in anechoic room at 1W, 1m, free field.