

HORN TWEETER LOUDSPEAKER GDWT 9/100FP

9 5155 104

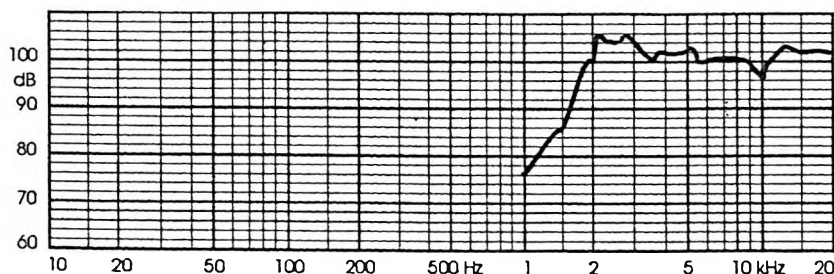
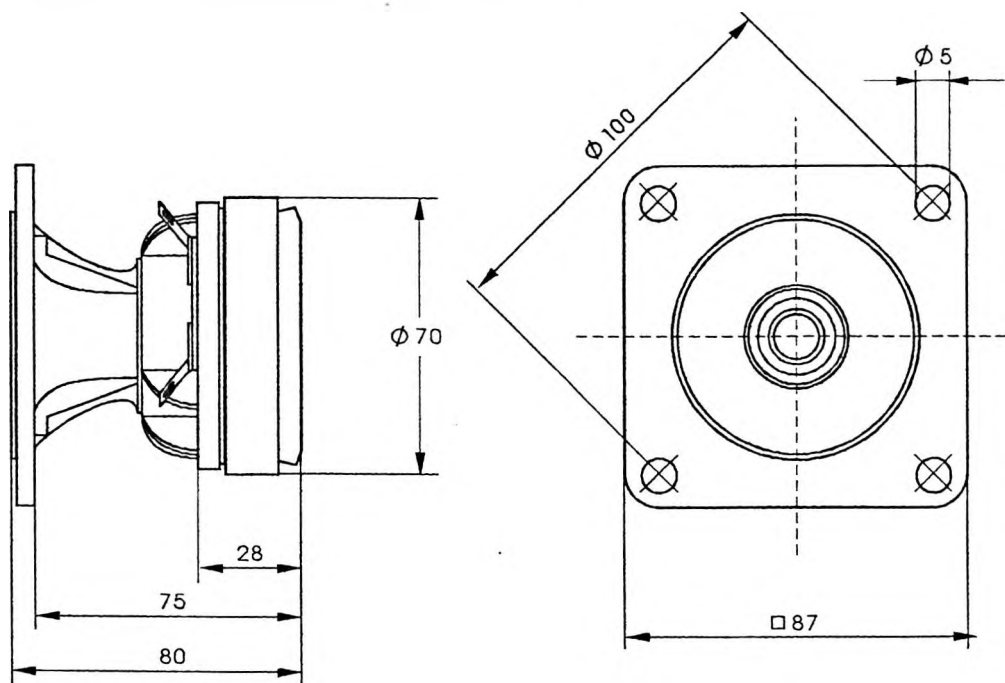
TECHNICAL DATA

Rated impedance	8 Ω
Voice coil resistance	6,3 Ω
Rated frequency range	3 to 20 kHz
Resonance frequency	- kHz
Recommended crossover frequency	4,5 kHz
Power handling capacity, P1/P2, measured with filter,	100/6 W
Max power	200/15 W
Sensitivity	101 dB
Flux density	1,29 T
Energy in air gap	119,5 mJ
Air-gap	25/3/0,745 mm
Voice coil height	1,8 mm
Magnet	
- material	ferrite
- dimensions	70/32/15 mm
- mass	0,23 kg
Mass of loudspeaker	0,8 kg

The loudspeaker has flexible wire leads and a capton voice coil former and an air gap with ferrofluid.

AVAILABLE VERSIONS

- GDWT 9/100FP - 8 Ω , catalogue number 9 5155 104 10



FREQUENCY RESPONSE CURVE
Measured in anechoic room at 1W, 1m, free field.