

DOME TWEETER LOUDSPEAKER GDWK 8/80/1

9 5155 023

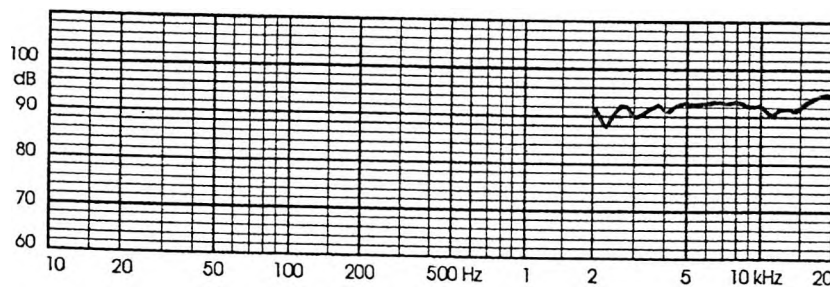
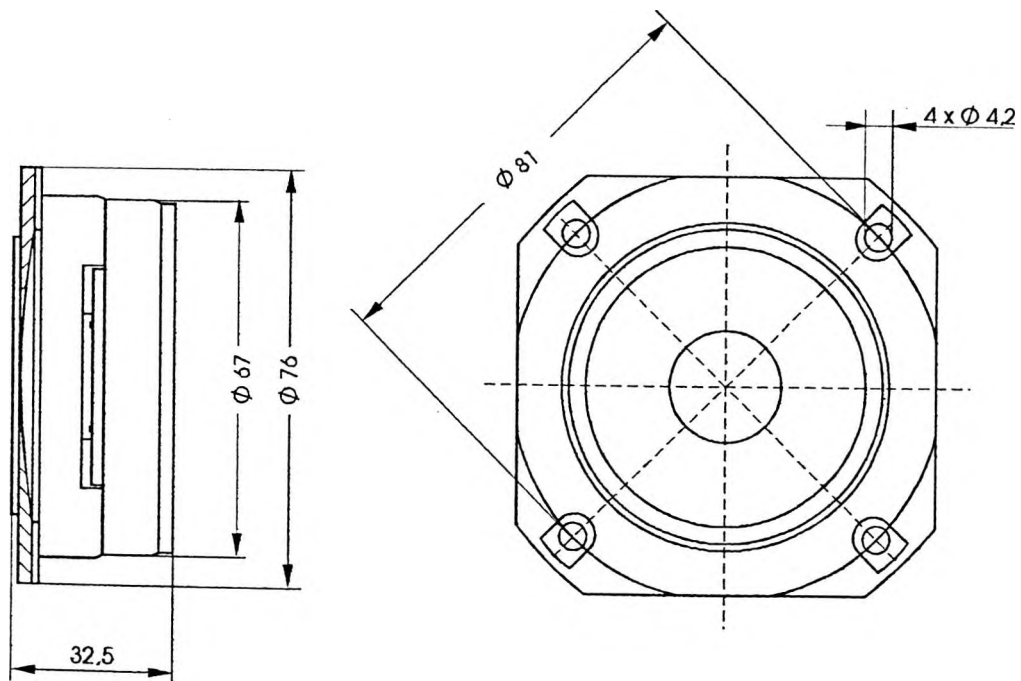
TECHNICAL DATA

Rated impedance	8 Ω
Voice coil resistance	6,3 Ω
Rated frequency range	4 to 25 kHz
Resonance frequency	- kHz
Recommended crossover frequency	7 kHz
Power handling capacity, P1/P2, measured with filter	80/1,5 W
Max power	140/3,0 W
Sensitivity	91 dB
Flux density	1,2 T
Energy in air gap	59 mJ
Air-gap	18/2,5/0,7 mm
Voice coil height	1,9 mm
Magnet	
- material	ferrite
- dimensions	65/32/10 mm
- mass	0,12 kg
Mass of loudspeaker	0,32 kg

Membrane material - polyamide.

AVAILABLE VERSIONS

- GDWK 8/80/1 - 8 Ω , catalogue number 9 5155 023 06



FREQUENCY RESPONSE CURVE

Measured in anechoic room at 1W, 1m, Loudspeaker mounted on IEC baffle.