

DOME TWEETER LOUDSPEAKER GDWK 8-12/120

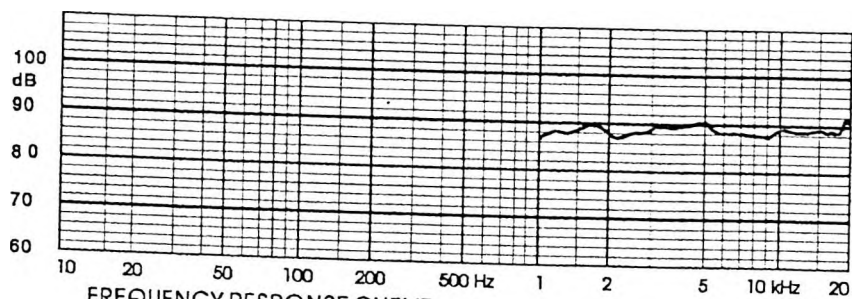
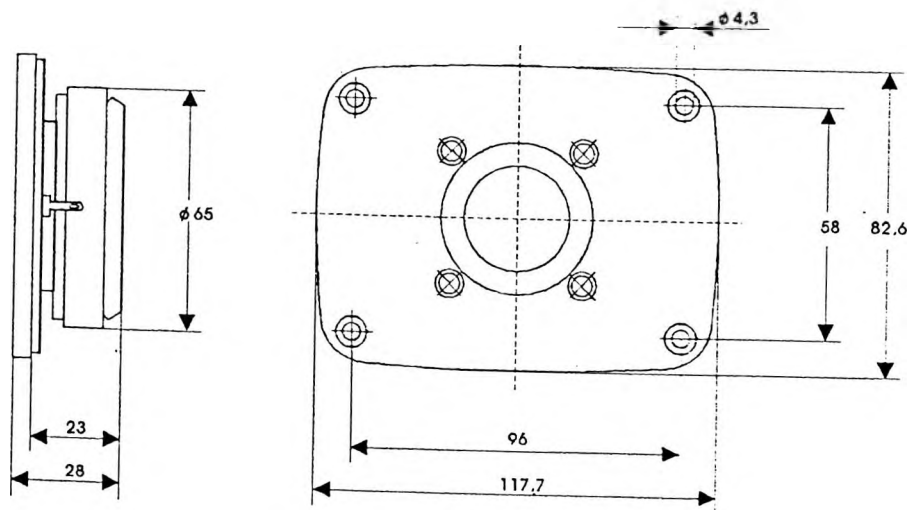
9 5155 125

TECHNICAL DATA

Rated impedance	8	Ω
Voice coil resistance	6,3	Ω
Rated frequency range	2,0 to 20	kHz
Resonance frequency	1,2	kHz
Recommended crossover frequency	4,8	kHz
Power handling capacity, P1/P2, measured with filter,	120/5	W
Max. power	160/10	W
Sensitivity	89	dB
Flux density	1,08	T
Energy in air gap	81,5	mJ
Air - gap	25/3/0,745	mm
Voice coil height	1,9	mm
Magnet		
- material	ferrite	
- dimensions	65/32/10	mm
- mass	0,12	kg
Mass of loudspeaker	0,45	kg

AVAILABLE VERSIONS

- GDWK 12/120 - 8Ω, catalogue number 9 5155 125 01-03



FREQUENCY RESPONSE CURVE
Measured in anechoic room at 1W/1m. Loudspeaker mounted
on IEC baffle.

POLAND - WRZEŚNIA

 TONSIL

TEL (061) 4 36 94 14

TLX 0412758

FAX (061) 4 369419