

DOME TWEETER LOUDSPEAKER GDWK 7/50

9 5155 020

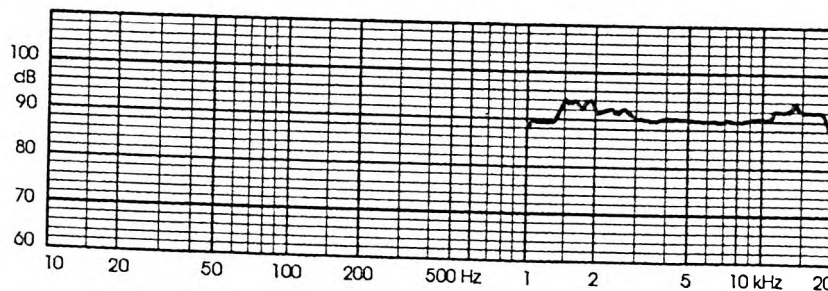
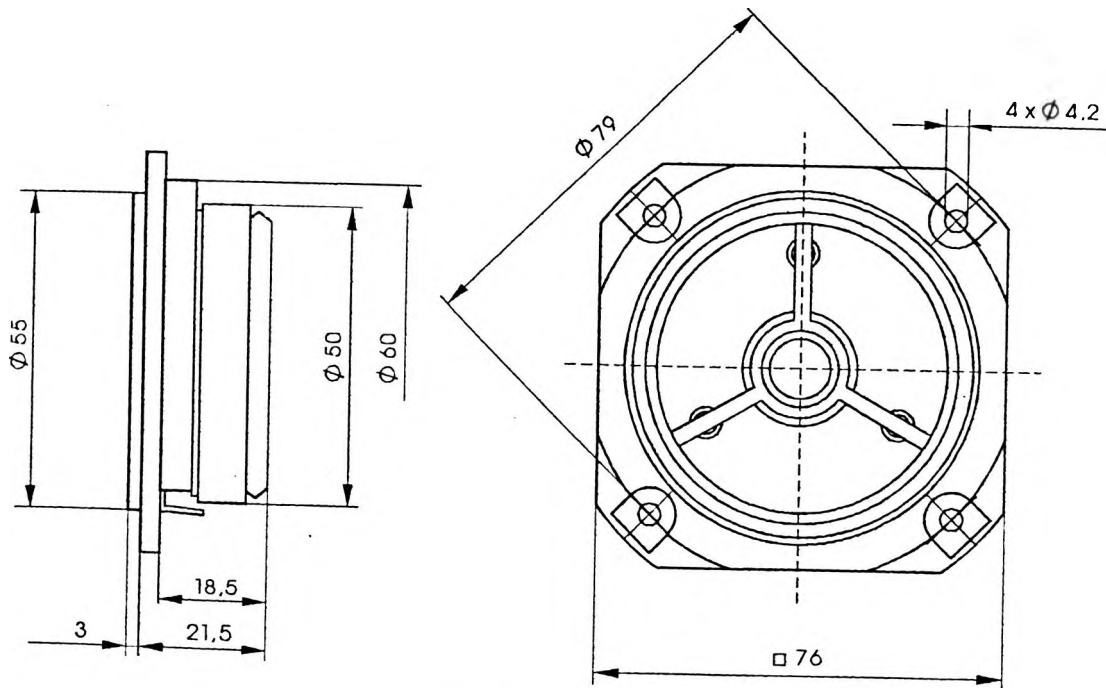
TECHNICAL DATA

Rated impedance	8 Ω
Voice coil resistance	6,3 Ω
Rated frequency range	4 to 20 kHz
Resonance frequency	- kHz
Recommended crossover frequency	7 kHz
Power handling capacity, P1/P2, measured with filter	50/0,4 W
Max power	100/0,8 W
Sensitivity	89 dB
Flux density	1 T
Energy in air gap	32 mJ
Air-gap	18/2/0,7 mm
Voice coil height.	1,3 mm
Magnet	ferrite
- material	50/22/8 mm
- dimensions	0,063 kg
- mass	0,25 kg
Mass of loudspeaker	

Membrane material - laminated fabric.

AVAILABLE VERSIONS

- GDWK 7/50 - 8 Ω , catalogue number 9 5155 020 01
- GDWK 7/50 - 8 Ω , catalogue number 9 5155 020 03



FREQUENCY RESPONSE CURVE
Measured in anechoic room at 1W, 1m, Loudspeaker mounted
on IEC baffle.