

# DOME TWEETER LOUDSPEAKER GDWK 10/80

9 5155 047

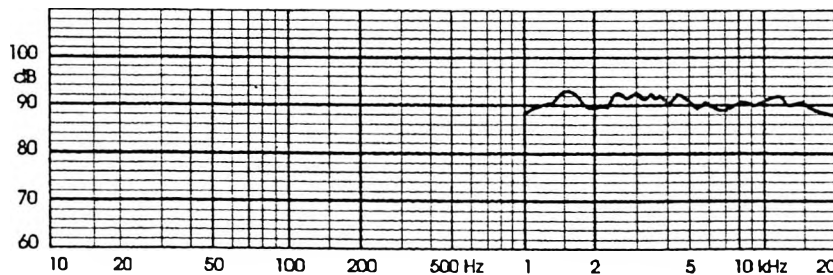
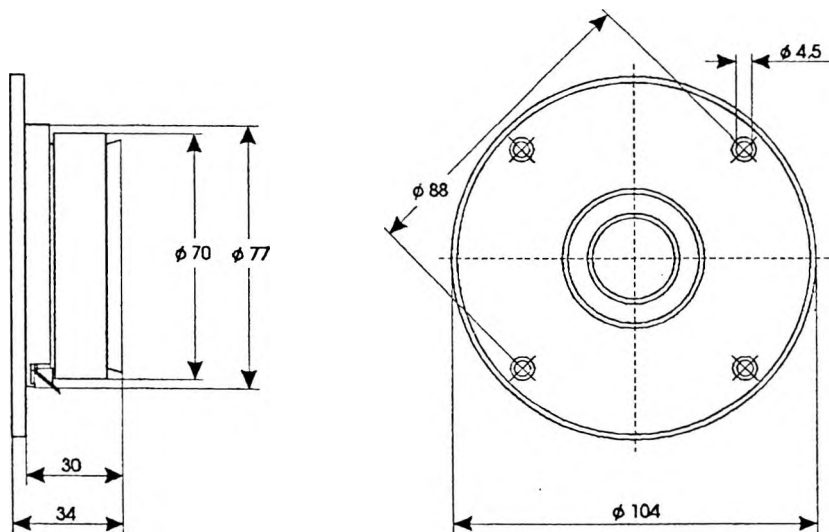
## TECHNICAL DATA

Rated impedance	8 $\Omega$
Voice coil resistance	6,3 $\Omega$
Rated frequency range	4 to 20 kHz
Resonance frequency	- kHz
Recommended crossover frequency	4,8 kHz
Power handling capacity, P1/P2 measured with filter	80/3 W
Max. power	160/5 W
Sensitivity	90 dB
Flux density	1,29 T
Energy in air gap	118,2 mJ
Air - gap	25/3/0,745 mm
Voice coil height	1,9 mm
Magnet	
- material	ferrite
- dimensions	70/32/15 mm
- mass	0,23 kg
Mass of loudspeaker	0,6 kg

Membrane material - laminated fabric

## AVAILABLE VERSIONS

- GDWK 10/80 - 8 $\Omega$ , catalogue number 9 5155 047 01



FREQUENCY RESPONSE CURVE  
Measured in anechoic room at 1W/1m. Loudspeaker mounted  
on IEC baffle.