

DOME TWEETER LOUDSPEAKER GDWK 10/80/20

9 5155 164

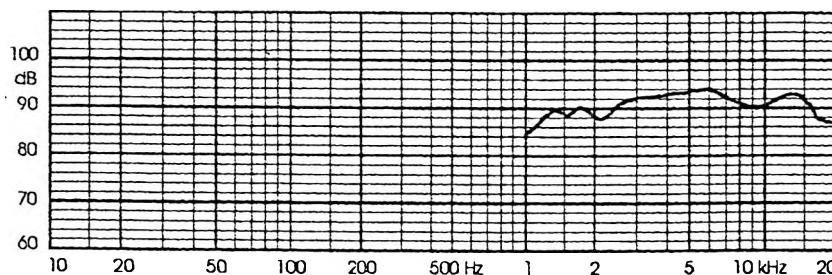
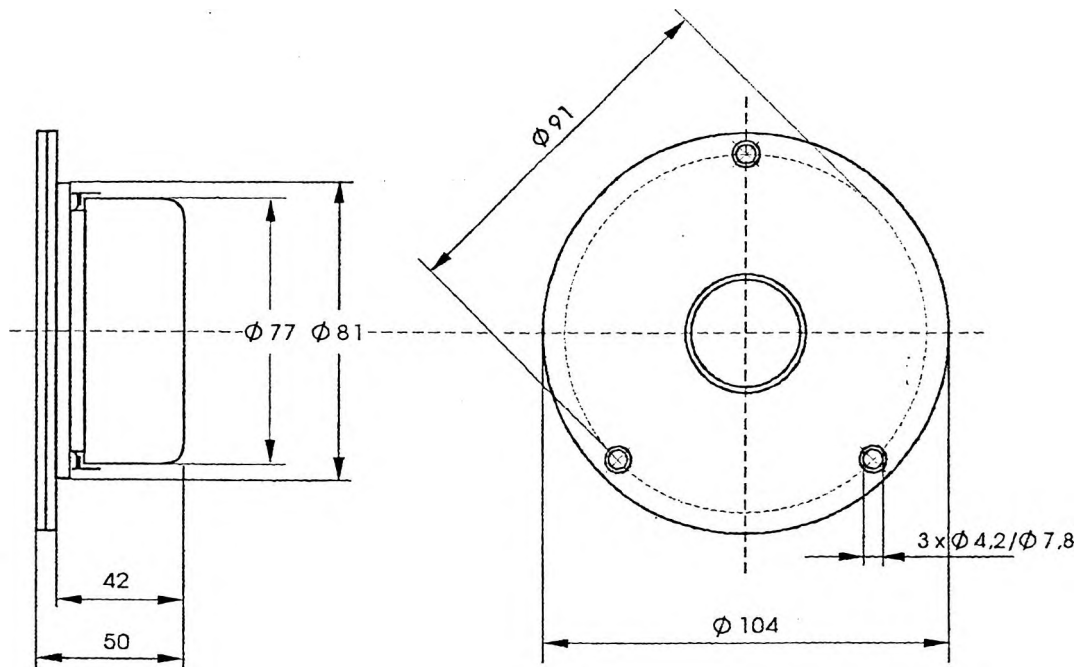
TECHNICAL DATA

Rated impedance	8 Ω
Voice coil resistance	6,3 Ω
Rated frequency range	4 to 20 kHz
Resonance frequency	- kHz
Recommended crossover frequency	4,8 kHz
Power handling capacity, P1/P2, measured with filter,	80/5 W
Max power	160/10 W
Sensitivity	91 dB
Flux density	1,16 T
Energy in air gap	104,6 mJ
Air-gap	25/3/0,745 mm
Voice coil height	1,9 mm
Magnet	ferrite
- material	2x65/32/10 mm
- dimensions	2x0,126 kg
- mass	0,68 kg
Mass of loudspeaker	

Membrane material - cotton cloth.
Magnetic fluid - APG833

AVAILABLE VERSIONS

- GDWK 10/80/20 - 8 Ω , catalogue number 9 5155 164 02



FREQUENCY RESPONSE CURVE
Measured in anechoic room at 1W, 1m, Loudspeaker mounted
on IEC baffle..