

FULL RANGE LOUDSPEAKER GDS 20/20

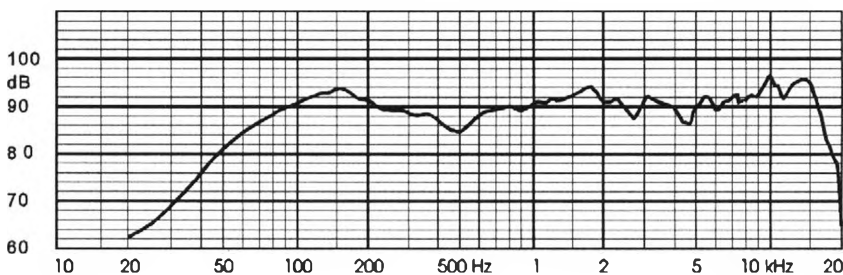
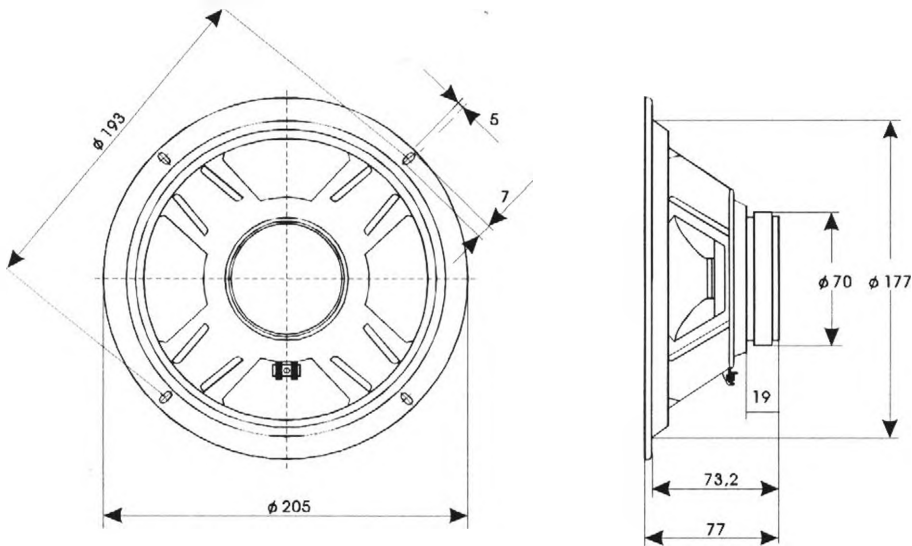
9 5157 094 02

TECHNICAL DATA

Rated impedance	4	8	Ω
Voice coil resistance	3,4	6,9	Ω
Rated frequency range	50 to 15000		Hz
Resonance frequency	60		Hz
Power handling capacity			
/ loudspeaker unmounted, 100 h continuous /	20		W
Max. power	30		W
Sensitivity	90		dB
Flux density	0,56		T
Energy in air gap	46,8		mJ
Air - gap	25/4,6/1		mm
Voice coil height	6,6	8,5	mm
Magnet			
- material	ferrite		
- dimensions	70/32/10		mm
- mass	0,151		kg
Mass of loudspeaker	0,7		kg

AVAILABLE VERSIONS

- GDS 20/20 - 4Ω, catalogue number 9 5157 094 05
- GDS 20/20 - 8Ω, catalogue number 9 5157 094 02



FREQUENCY RESPONSE CURVE

Measured in anechoic room at 0,1W, 0,5 m. Loudspeaker mounted on IEC baffle.