

FULL RANGE LOUDSPEAKER GDS 16/40

9 5157 066

TECHNICAL DATA

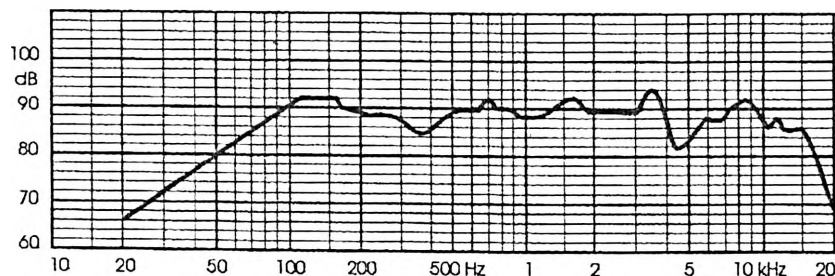
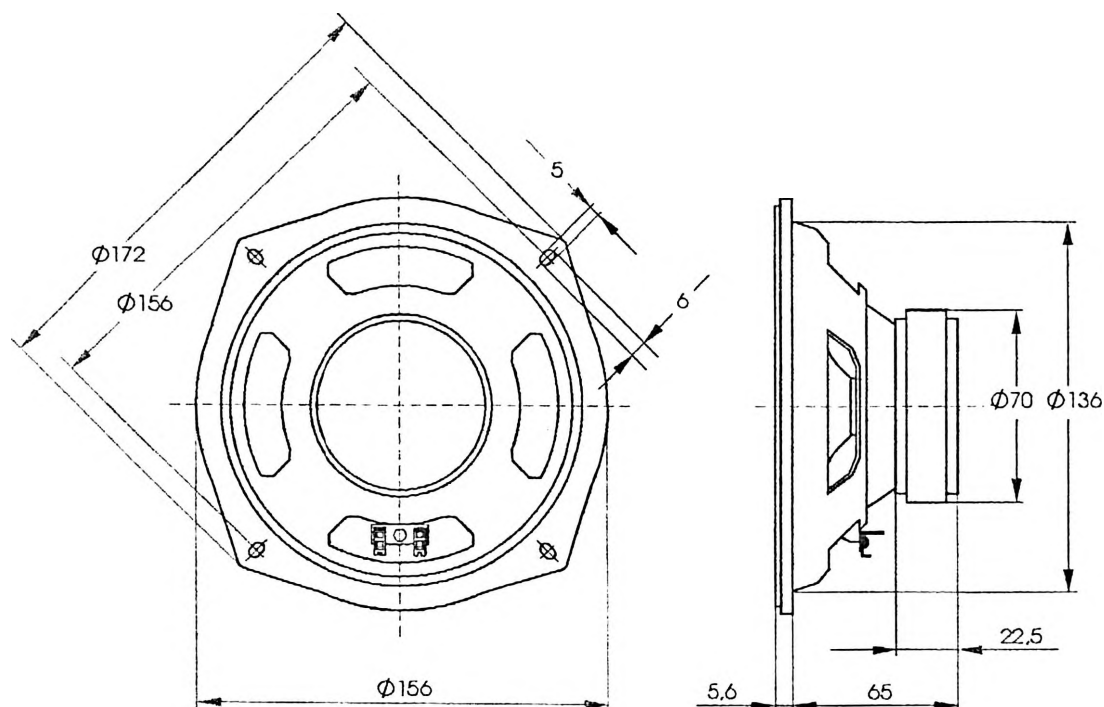
Rated impedance	4 Ω
Voice coil resistance	3,6 Ω
Rated frequency range	50 to 17000 kHz
Resonance frequency	55 kHz
Power handling capacity, /Enclosure 9 dm ³ , 100 h, continuous/	40 W
Max power	80 W
Sensitivity	88 dB
Flux density	0,72 T
Energy in air gap	90 mJ
Air-gap	25/3,5/1,5 mm
Voice coil height	5,1 mm
Magnet	
- material	ferrite
- dimensions	70/32/15 mm
- mass	0,23 kg
Mass of loudspeaker	0,62 kg

The loudspeaker has a double cone

Connection is by 2,8 mm x 0,8 mm and 4,8 mm x 0,8 mm tag connectors or by soldering.

AVAILABLE VERSIONS

- GDS 16/40 - 4 Ω , catalogue number 9 5157 066 03



FREQUENCY RESPONSE CURVE

Measured in anechoic room at 1W, 1m, Loudspeaker mounted on IEC baffle.