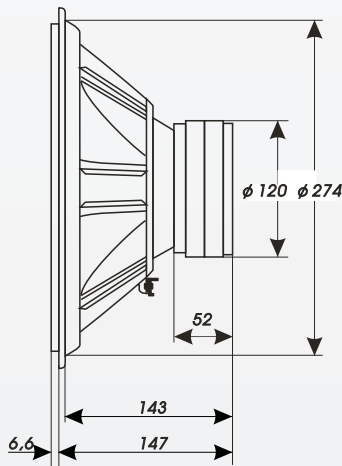
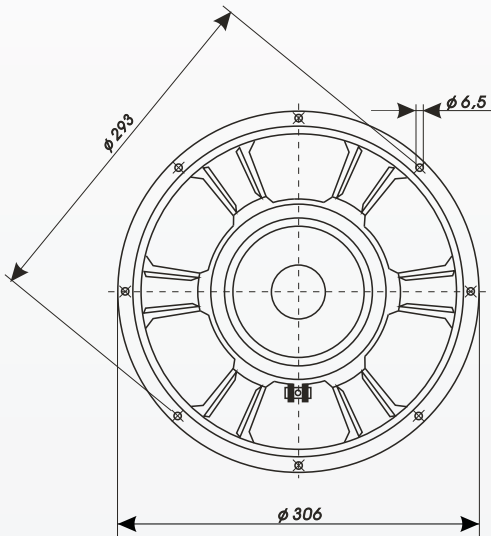


WOOFER GDN 30/80/2 GDN 30/80/4

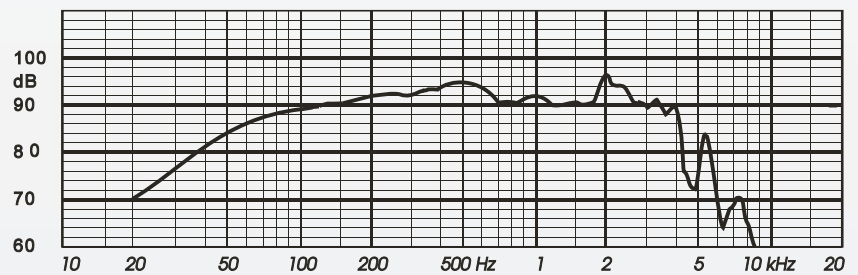
TECHNICAL DATA

Rated impedance	8	Ω
Voice coil resistance	6,2	Ω
Rated frequency range	40 to 3000	Hz
Resonance frequency	25	Hz
Power handling capacity / enclosure 70 dm ³ , 1 min. on/2min.off, 100 h continuous /	80	W
Max. power	140	W
Sensitivity	92	dB
Flux density	0,7	T
Energy in air gap	388	mJ
Force factor - Bl	13	Tm
Piston area - S _D	0,05	m ²
Total moving mass - MMS	0,05	kg
Compliance /loudspeaker unmounted/ - C _{MS}	81,9 x 10 ⁻⁵	m/N
Equivalent box volume - V _{AS}	0,27	m ³
Quality factor /loudspeaker unmounted/		
- mechanical - Q _{MS}	2,47	
- electrical - Q _{ES}	0,3	
- total - Q _{TS}	0,26	
Air - gap	48/6/2	mm
Voice coil height	12,5	mm
Magnet		
- material	ferrite	
- dimensions	2 x 120/60/18	mm
- mass	1,52	kg
Mass of loudspeaker	3,9	kg



AVAILABLE VERSIONS

- GDN 30/80/2 - 8 Ω , catalogue number 9 5151 016 01
- GDN 30/80/4 - 8 Ω , catalogue number 9 5151 034 01



FREQUENCY RESPONSE CURVE

Measured in anechoic room at 1W/1m. Loudspeaker mounted in sealed 70 dm³ enclosure.