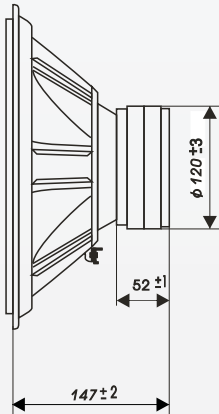
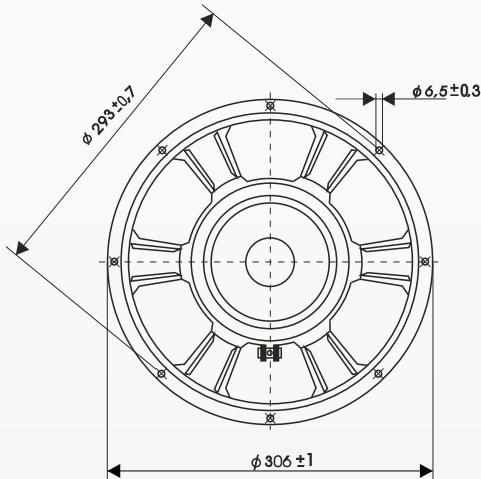


WOOFER GDN 30/120 GDN 30/120/1

TECHNICAL DATA

Rated impedance	8	Ω
Voice coil resistance	6,4	Ω
Rated frequency range	40 to 3000	Hz
Resonance frequency	24	Hz
Power handling capacity / enclosure 70 dm ³ , 1 min. on/2min.off, 100 h continuous /	120	W
Max. power	250	W
Sensitivity	89	dB
Flux density	0,8	T
Energy in air gap	570	mJ
Force factor - Bl	14	Tm
Piston area - S _D	0,05	m ²
Total moving mass - M _{MS}	0,065	kg
Compliance /loudspeaker unmounted/ - CMS	75 x 10 ⁻⁹	m/N
Equivalent box volume - V _{AS}	0,30	m ³
Quality factor /loudspeaker unmounted/		
- mechanical - Q _{MS}	2,36	
- electrical - Q _{ES}	0,3	
- total - Q _{TS}	0,26	
Air - gap	48/8/1,75	mm
Voice coil height	18,5	mm
Magnet		
- material	ferrite	
- dimensions	2 x 120/60/18	mm
- mass	1,52	kg
Mass of loudspeaker	4,0	kg

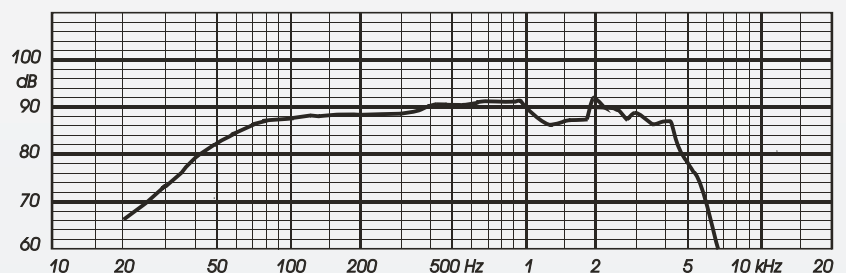


The loudspeaker has a paper cone, a paper dust cap and a foam surround.

Connection is by 2,8 mm x 0,8 mm and 4,8 mm x 0,8 mm tag connectors or by soldering.

AVAILABLE VERSIONS

- GDN 30/120 - 8 Ω , catalogue number 9 5151 270 01
 - diaphragm covered with green-red paint
- GDN 30/120/1 - 8 Ω , catalogue number 9 5151 270 02
 - diaphragm covered with blue-green paint



FREQUENCY RESPONSE CURVE

Measured in anechoic room at 1W/1m. Loudspeaker mounted in sealed 70 dm³ enclosure.