

DUAL VOICE COIL

GDN 30/100 DC

9 5151 219

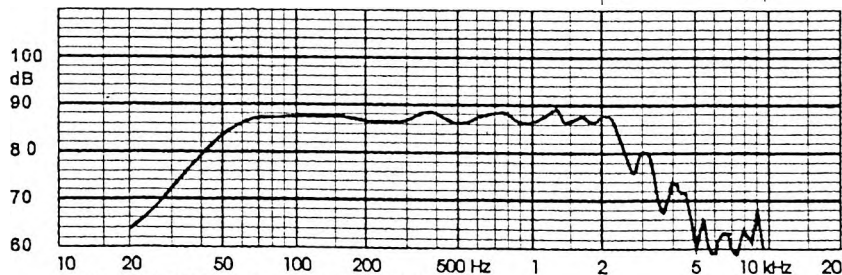
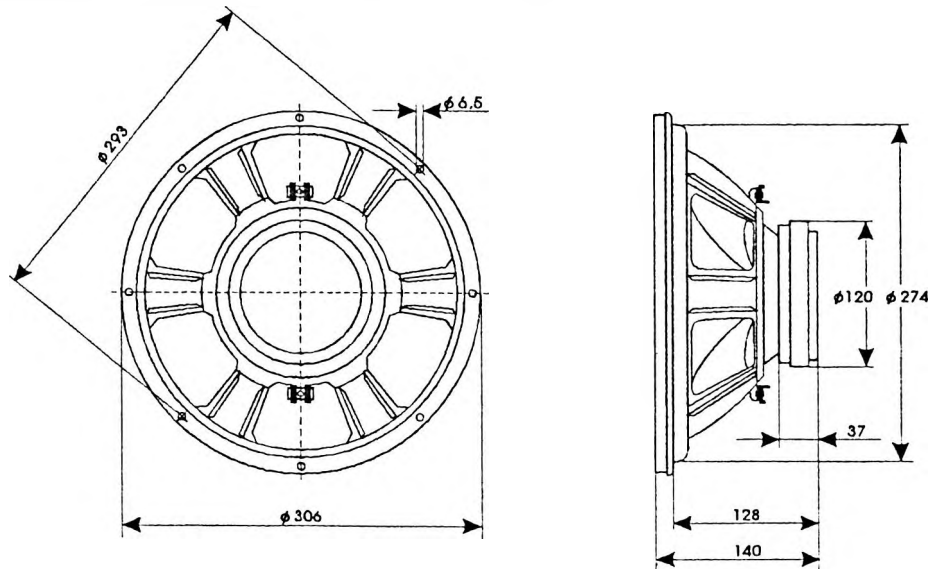
TECHNICAL DATA

Rated impedance	4 Ω / 4 Ω	Ω
Voice coil resistance	3,2 Ω / 3,2 Ω	Ω
Rated frequency range	up to 2000	Hz
Resonance frequency	25	Hz
Power handling capacity / enclosure 70 dm ³ , 100 h continuous /	100 50/50	W
Max. power	200	W
Sensitivity	87	dB
Flux density	0,68	T
Energy in air gap	486	mJ
Force factor - Bl	7,8	Tm
Piston area - S _D	0,061	m ²
Total moving mass - M _{MS}	0,089	kg
Compliance /loudspeaker unmounted/ - C _{MS}	386x10 ⁻⁶	m/N
Equivalent box volume - V _{AS}	208x10 ⁻³	m ³
Quality factor /loudspeaker unmounted/ - mechanical - Q _{MS}	2,29	
- electrical - Q _{ES}	0,466	
- total - Q _{TS}	0,387	
Air - gap	48/8/2,1	mm
Voice coil height	18,5	mm
Magnet		
- material	ferrite	
- dimensions	120/60/18	mm
- mass	0,76	kg
Mass of loudspeaker	3,1	kg

The loudspeaker has a front gasket, paper cone and foam surround.
Can be used with both voice coils in series for 8 Ω or in parallel for 2 Ω
Theil - Small parameters are measured with voice coils in parallel.

AVAILABLE VERSIONS

- GDN 30/100 DC - 8 Ω / 8 Ω catalogue number 9 5151 219 01
- GDN 30/100 DC - 4 Ω / 4 Ω catalogue number 9 5151 219 03



FREQUENCY RESPONSE CURVE
Measured in anechoic room at 1m/1,41V. Loudspeaker mounted
in sealed 70 dm³ enclosure.