

# WOOFER GDN 25/60/6

9 5151 081

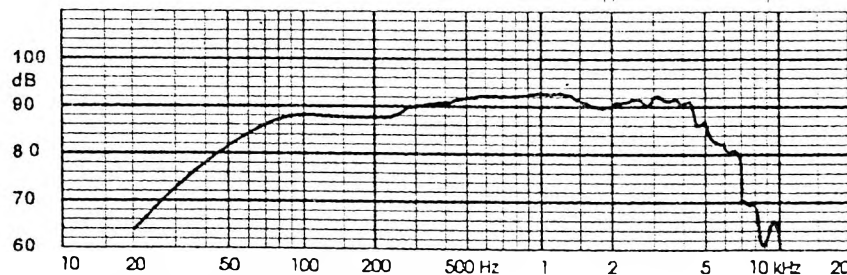
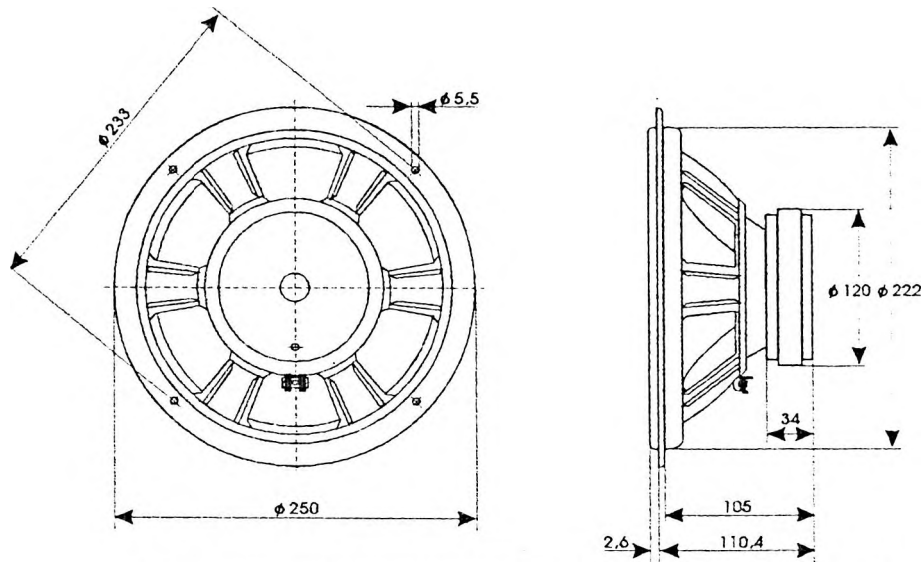
## TECHNICAL DATA

Rated impedance	8	$\Omega$
Voice coil resistance	6,4	$\Omega$
Rated frequency range	60 to 4000	Hz
Resonance frequency	37	Hz
Power handling capacity / enclosure 35 dm <sup>3</sup> , 100 h continuous /	60	W
Max. power	120	W
Sensitivity	90	dB
Flux density	0,81	T
Energy in air gap	486,7	mJ
Force factor - Bl	9	Tm
Piston area - S <sub>D</sub>	0,033	m <sup>2</sup>
Total moving mass - M <sub>MS</sub>	0,026	kg
Compliance /loudspeaker unmounted/ - C <sub>MS</sub>	72x10 <sup>-5</sup>	m/N
Equivalent box volume - V <sub>AS</sub>	0,103	m <sup>3</sup>
Quality factor /loudspeaker unmounted/		
- mechanical - Q <sub>MS</sub>	2,15	
- electrical - Q <sub>ES</sub>	0,48	
- total - Q <sub>TS</sub>	0,39	
Air - gap	48/8/1,5	mm
Voice coil height	12,6	mm
Magnet		
- material	ferrite	
- dimensions	120/60/18	mm
- mass	0,76	kg
Mass of loudspeaker	2,6	kg

Connection is by 5,4 mm x 0,8 mm tag connectors or by soldering.  
Diaphragm covered with damping - sealing material.

## AVAILABLE VERSIONS

- GDN 25/60/6 - 8 $\Omega$ , catalogue number 9 5151 081 01



FREQUENCY RESPONSE CURVE  
Measured in anechoic room at 1W/1m. Loudspeaker mounted  
in sealed 35 dm<sup>3</sup> enclosure.