

WOOFER GDN 20/60/3

9 5151 061

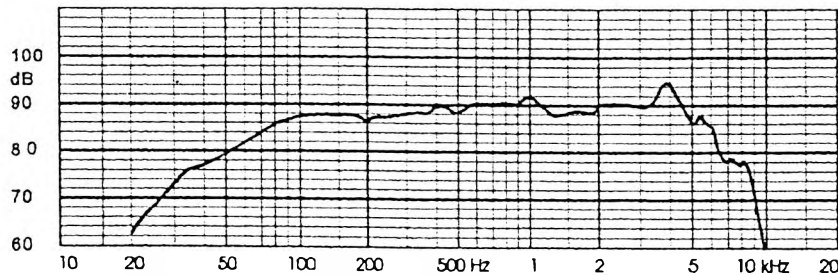
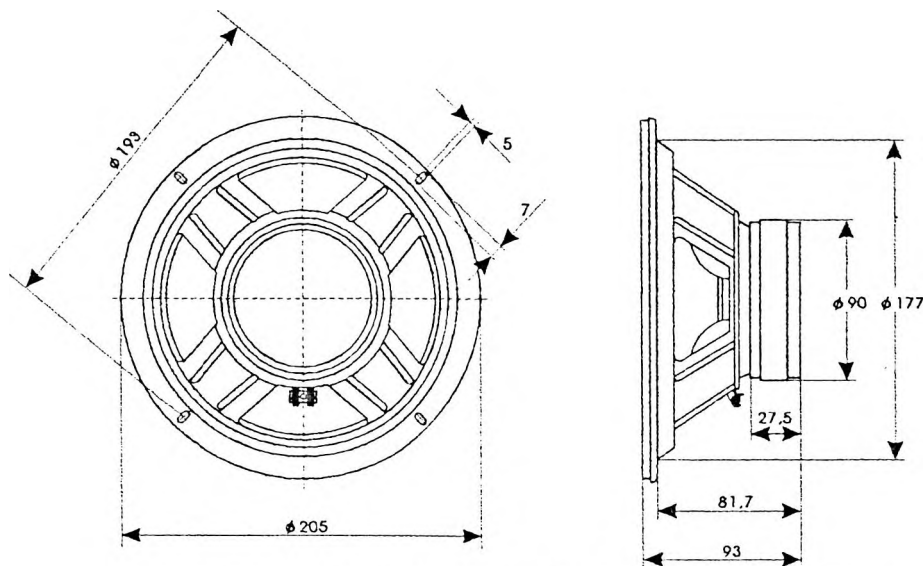
TECHNICAL DATA

Rated impedance	4	Ω
Voice coil resistance	3,3	Ω
Rated frequency range	45 to 4000	Hz
Resonance frequency	36	Hz
Power handling capacity / enclosure 24 dm ³ , 100 h continuous /	60	W
Max. power	120	W
Sensitivity	90	dB
Flux density	0,8	T
Energy in air gap	224,1	mJ
Force factor - Bl	5,275	Tm
Piston area - S _D	0,021	m ²
Total moving mass - M _{MS}	0,018	kg
Compliance /loudspeaker unmounted/ - C _{MS}	105,5x10 ⁻⁵	m/N
Equivalent box volume - V _{AS}	0,07	m ³
Quality factor /loudspeaker unmounted/		
- mechanical - Q _{MS}	2,82	
- electrical - Q _{ES}	0,55	
- total - Q _{TS}	0,45	
Air - gap	35/6/1,3	mm
Voice coil height	11	mm
Magnet		
- material	ferrite	
- dimensions	90/45/15,5	mm
- mass	0,37	kg
Mass of loudspeaker	1,3	kg

Connection is by 2,8 mm x 0,5 mm tag connectors or by soldering.

AVAILABLE VERSIONS

- GDN 20/60/3 - 4 Ω , catalogue number 9 5151 061 01



FREQUENCY RESPONSE CURVE
Measured in anechoic room at 1W/1m. Loudspeaker mounted
in sealed 24 dm³ enclosure.