

WOOFER GDN 20/60/11

TECHNICAL DATA

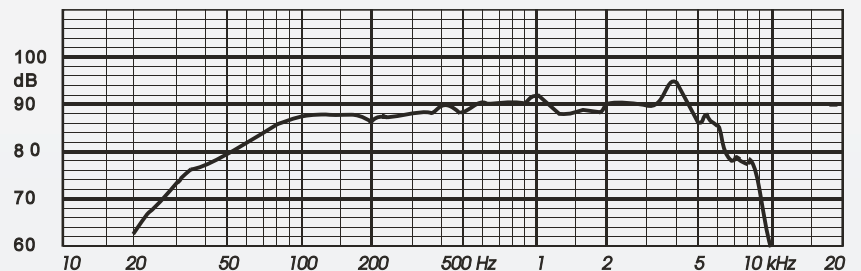
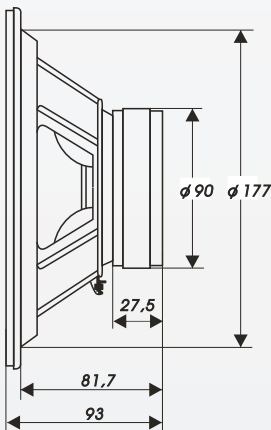
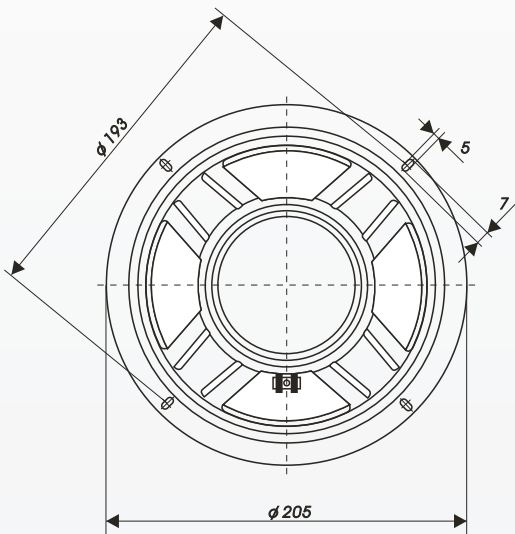
Rated impedance	8	Ω
Voice coil resistance	6,5	Ω
Rated frequency range	35 to 4000	Hz
Resonance frequency	36	Hz
Power handling capacity / enclosure 24 dm ³ , 100 h continuous /	60	W
Max. power	120	W
Sensitivity	90	dB
Flux density	0,8	T
Energy in air gap	224,1	mJ
Force factor - Bl	6,6	Tm
Piston area - SD	0,021	m ²
Total moving mass - M _{MS}	0,015	kg
Compliance /loudspeaker unmounted/ - C _{MS}	75 x 10 ⁻³	m/N
Equivalent box volume - V _{AS}	0,054	m ³
Quality factor /loudspeaker unmounted/		
- mechanical - Q _{MS}	3,2	
- electrical - Q _{ES}	0,85	
- total - Q _{TS}	0,67	
Air - gap	35/6/1,3	mm
Voice coil height	12	mm
Magnet		
- material	ferrite	
- dimensions	90/45/15,5	mm
- mass	0,37	kg
Mass of loudspeaker	1,3	kg

Connection is by 2,8 mm x 0,5 mm tag connectors or by soldering

AVAILABLE VERSIONS

- GDN 20/60/11 - 8 Ω ,

catalogue number 9 5151 061 38 with front gasket, diaphragm without covered .



FREQUENCY RESPONSE CURVE

Measured in anechoic room at 1W/1m. Loudspeaker mounted in sealed 24 dm³ enclosure.