

WOOFER GDN 20/40/12

9 5151 039

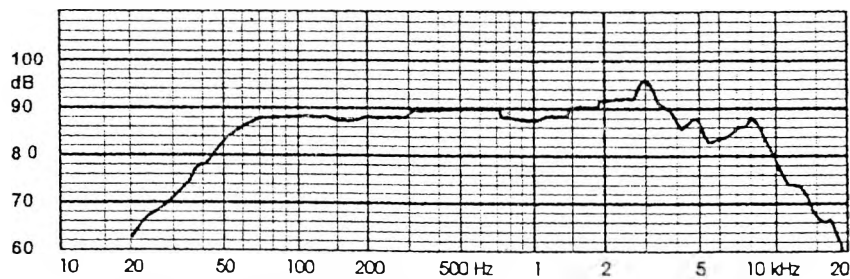
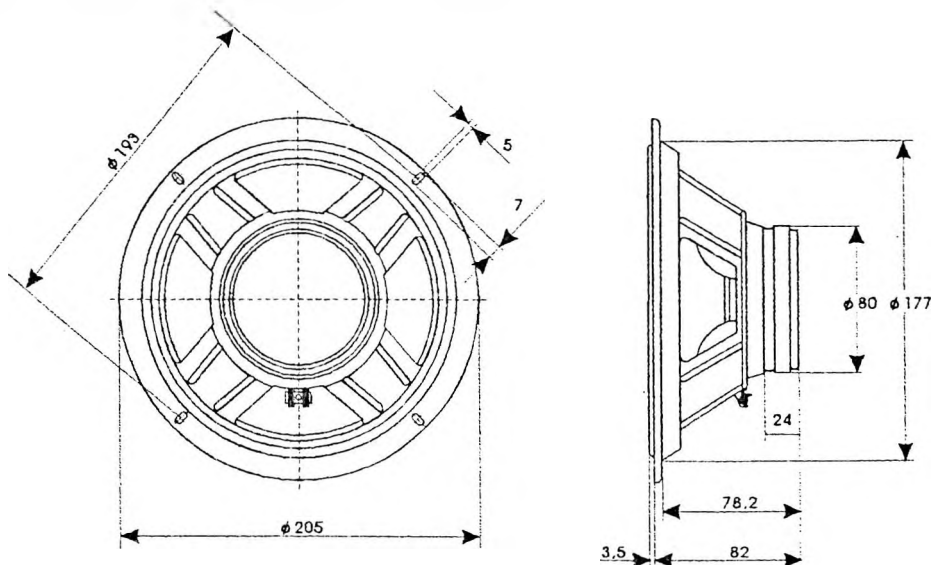
TECHNICAL DATA

Rated impedance	8	Ω
Voice coil resistance	6,8	Ω
Rated frequency range	80 to 3500	Hz
Resonance frequency	50	Hz
Power handling capacity / enclosure 36 dm ³ , 100 h continuous /	40	W
Max. power	60	W
Sensitivity	90	dB
Flux density	0,73	T
Energy in air gap	106,4	mJ
Force factor - BI	5,33	Tm
Piston area - S _D	0,021	m ²
Total moving mass - M _{MS}	0,014	kg
Compliance /loudspeaker unmounted/ - C _{MS}	70,4x10 ⁻⁵	m/N
Equivalent box volume - V _{AS}	0,046	m ³
Quality factor /loudspeaker unmounted/		
- mechanical - Q _{MS}	2,93	
- electrical - Q _{ES}	1,07	
- total - Q _{TS}	0,79	
Air - gap	25/6/1,025	mm
Voice coil height	10,5	mm
Magnet		
- material	ferrite	
- dimensions	80/40/12	mm
- mass	0,23	kg
Mass of loudspeaker	0,95	kg

Diaphragm covered with damping - sealing material.

AVAILABLE VERSIONS

- GDN 20/40/12 - 8 Ω , catalogue number 9 5151 039 01



FREQUENCY RESPONSE CURVE

Measured in anechoic room at 1W/1m. Loudspeaker mounted in sealed 36 dm³ enclosure.