

WOOFER GDN 16/50/4

9 5151 170

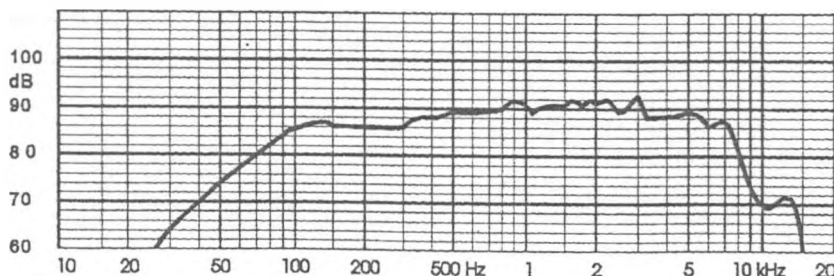
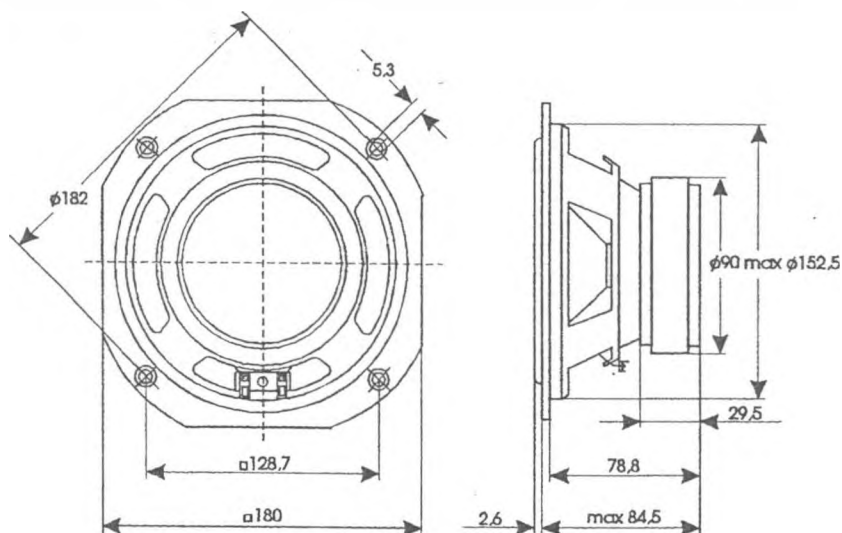
TECHNICAL DATA

Rated Impedance	8	15	Ω
Voice coil resistance	6,9	13	Ω
Rated frequency range	80 to 5000		Hz
Resonance frequency	48		Hz
Power handling capacity / enclosure 9 dm ³ , 100 h continuous /	50		W
Max. power	100		W
Sensitivity	90		dB
Flux density	0,89	0,93	T
Energy in air gap	232	230	mJ
Force factor - Bl	6,72	8,92	Tm
Piston area - Sp		0,014	m ²
Total moving mass - M _{MS}	0,0121	0,0127	kg
Compliance /loudspeaker unmounted/ - C _{MS}	$0,98 \times 10^{-3}$	$0,88 \times 10^{-3}$	m/N
Equivalent box volume - V _{AS}	0,027	0,025	m ³
Quality factor /loudspeaker unmounted/			
- mechanical - Q _{MS}	4,35	4,59	
- electrical - Q _{ES}	0,545	0,6	
- total - Q _{TS}	0,485	0,53	
Air - gap	25/8/1.125	25/8/1.025	mm
Voice coil height	12,8	14,6	mm
Magnet			
- material		ferrite	
- dimensions		90/45/15,5	mm
- mass		0,35	kg
Mass of loudspeaker		1,25	kg

The loudspeaker has polypropylene cone, rubber surround and Kapton voice coil former.

AVAILABLE VERSIONS

- GDN 16/50/4 - 8 Ω , catalogue number 9 5151 170 01 - black cone, plastic dust cap ϕ 44
- GDN 16/50/4 - 15 Ω , catalogue number 9 5151 170 03 - black cone, plastic dust cap ϕ 38,2
- GDN 16/50/4 - 8 Ω , catalogue number 9 5151 170 05 - black cone, plastic dust cap ϕ 38,2



FREQUENCY RESPONSE CURVE

Measured in anechoic room at 1W/1m. Loudspeaker mounted in sealed 9 dm³ enclosure.