

WOOFER GDN 16/40/13

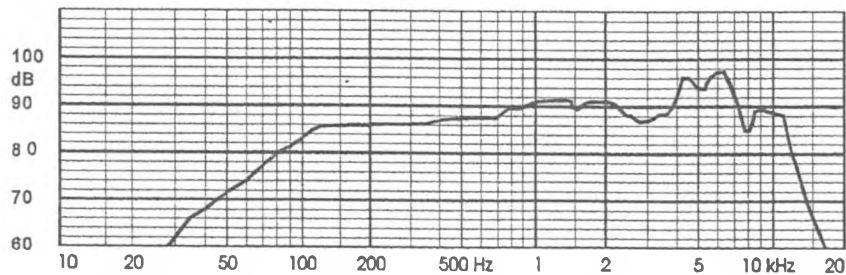
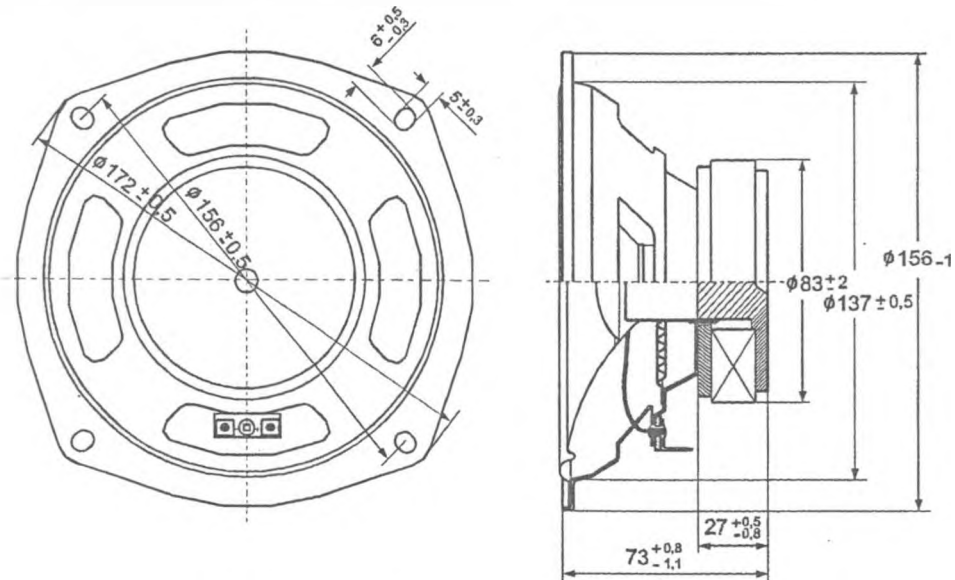
9 5151 281

TECHNICAL DATA

Rated impedance	8	15	Ω
Voice coil resistance	7,3	13,3	Ω
Rated frequency range	100 to 5000		Hz
Resonance frequency	50		Hz
Power handling capacity / enclosure 29 dm ³ , 100 h continuous /	40		W
Max. power	60		W
Sensitivity	87		dB
Flux density	1,02		T
Energy in air gap	229		mJ
Force factor - Bl	6,56	8,12	Tm
Piston area - S _D	12,2x10 ⁻³	12,2x10 ⁻³	m ²
Total moving mass - M _{MS}	9,95x10 ⁻³	9,26x10 ⁻³	kg
Compliance /loudspeaker unmounted/ - C _{MS}	65,90x10 ⁻⁵	82,22x10 ⁻⁵	m/N
Equivalent box volume - V _{AS}	0,015	0,018	m ³
Quality factor /loudspeaker unmounted/			
- mechanical - Q _{MS}	5,67	6,05	
- electrical - Q _{ES}	0,66	0,69	
- total - Q _{TS}	0,59	0,62	
Air - gap	25/6/1,125		mm
Voice coil height	9,8	10	mm
Magnet	ferrite		
- material	83/31/15		mm
- dimensions	0,34		kg
- mass	0,92		kg
Mass of loudspeaker			

AVAILABLE VERSIONS

- GDN 16/40/13 - 8 Ω , catalogue number 9 5151 281 01
- GDN 16/40/13 - 15 Ω , catalogue number 9 5151 281 02



FREQUENCY RESPONSE CURVE
Measured in anechoic room at 1W/1m. Loudspeaker mounted
in sealed 9 dm³ enclosure.