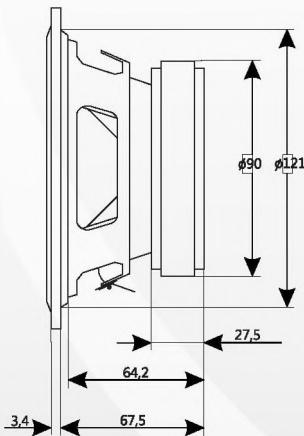
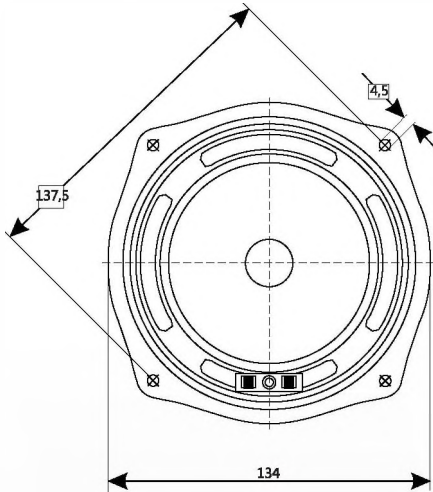


WOOFER GDN 13/40/2



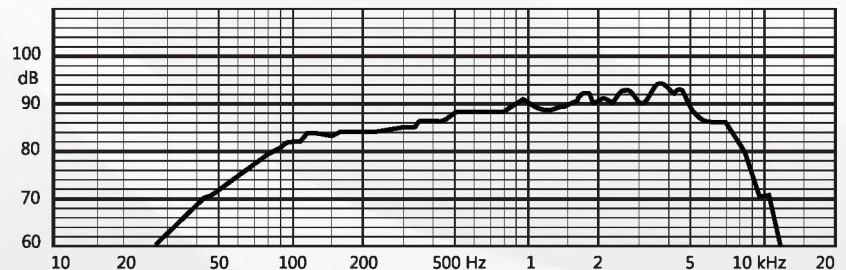
TECHNICAL DATA

Rated impedance	4	8	Ω
Voice coil resistance	3,45	6,5	Ω
Rated frequency range	90 to 5000		Hz
Resonance frequency	53		Hz
Power handling capacity / enclosure 5 dm ³ 100 h continuous /	40		W
Max. power	80		W
Sensitivity	89	88	dB
Flux density	0,98		T
Energy in air gap	211		mJ
Force factor - Bl	5,08	6,43	Tm
Piston area - S _D	85 × 10 ⁻⁴		m ²
Total moving mass - MMS	8,4 × 10 ⁻³		kg
Compliance /loudspeaker unmounted/ - CMS	1,1 × 10 ⁻³		m/N
Equivalent box volume - V _{AS}	11 × 10 ⁻³		m ³
Quality factor /loudspeaker unmounted/			
- mechanical - Q _{MS}	4,27	4,65	
- electrical - Q _{ES}	0,37	0,44	
- total - Q _{TS}	0,34	0,40	
Air - gap	25/6/1,125		mm
Voice coil height	9	12	mm
Magnet			
- material	ferrite		
- dimensions	90/45/15,5		mm
- mass	0,35		kg
Mass of loudspeaker	1,1		kg

The loudspeaker has polypropylene cone, rubber surround and plastic dust cap
Connection is by 4,8 mm x 0,5 mm tag connectors or by soldering

AVAILABLE VERSIONS

- GDN 13/40/2 - 4Ω, catalogue number 9 5151 154 07
 - black cone, vented magnet system
- GDN 13/40/2 - 4Ω, catalogue number 9 5151 154 08
 - black cone
- GDN 13/40/2 - 8Ω, catalogue number 9 5151 154 09
 - black cone, gasket /material - foam, position - rear/
- GDN 13/40/2 - 8Ω, catalogue number 9 5151 154 10
 - black cone



FREQUENCY RESPONSE CURVE

Measured in anechoic room at 1W/1m. Loudspeaker mounted in sealed 5 dm³ enclosure.