

WOOFER GDN 10/30/2

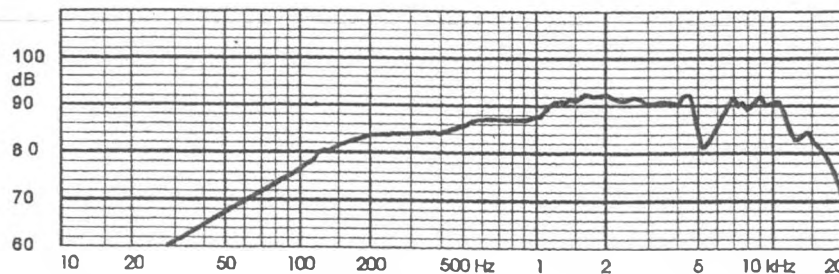
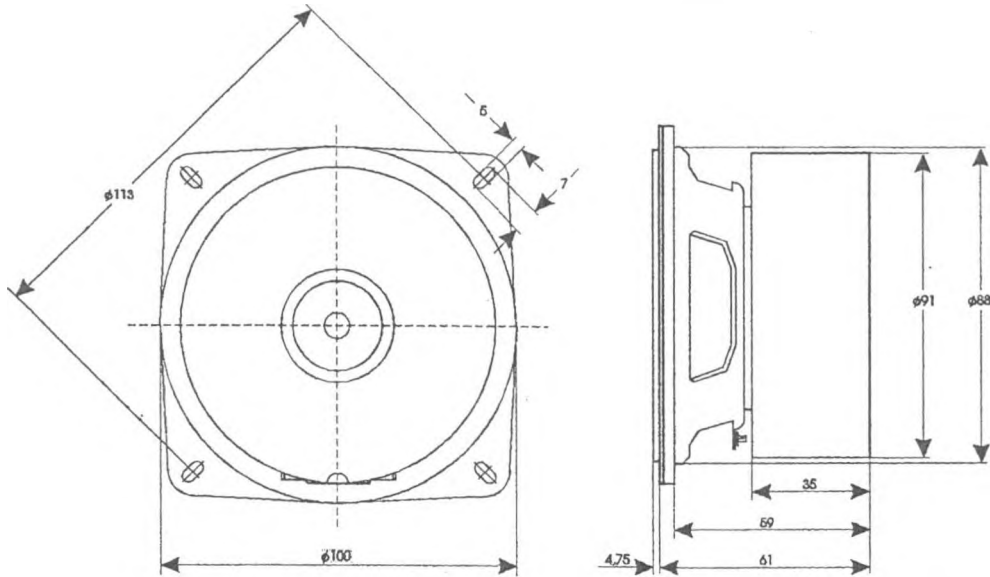
9 5151 171

TECHNICAL DATA

Rated impedance	4	8	Ω
Voice coil resistance	3,4	6,8	Ω
Rated frequency range		150 to 10000	Hz
Resonance frequency		70	Hz
Power handling capacity / enclosure 1,6 dm ³ , 100 h continuous /		30	W
Max. power		60	W
Sensitivity		87	dB
Flux density	0,99	1,06	T
Energy in air gap	112	107,7	mJ
Force factor - Bl	4,05	4,98	Tm
Piston area - Sp		$46,22 \times 10^{-4}$	m ²
Total moving mass - MMS		$36,41 \times 10^{-4}$	kg
Compliance /loudspeaker unmounted/ - CMS		$12,09 \times 10^{-4}$	m/N
Equivalent box volume - VAS		$37,06 \times 10^{-4}$	m ³
Quality factor /loudspeaker unmounted/			
- mechanical - QMS	3,26	3,35	
- electrical - QES	0,35	0,48	
- total - QTS	0,32	0,42	
Air - gap	20/4,6/1,1	20/4,6/0,93	mm
Voice coil height	7,5	9,0	mm
Magnet			
- material		ferrite	
- dimensions		70/32/25	mm
- mass		0,38	kg
Mass of loudspeaker		0,81	kg

AVAILABLE VERSIONS

- GDN 10/30/2 - 4 Ω , catalogue number 9 5151 171 03
- GDN 10/30/2 - 8 Ω , catalogue number 9 5151 171 01



FREQUENCY RESPONSE CURVE
Measured in anechoic room at 1W/1m. Loudspeaker mounted
in sealed 1,6 dm³ enclosure.