

FULL RANGE LOUDSPEAKER GD 6-13/10

9 5111 034

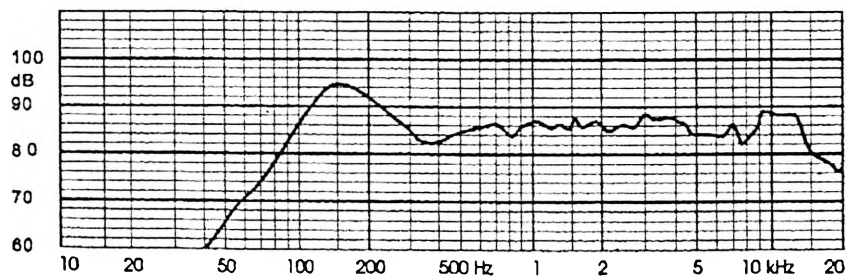
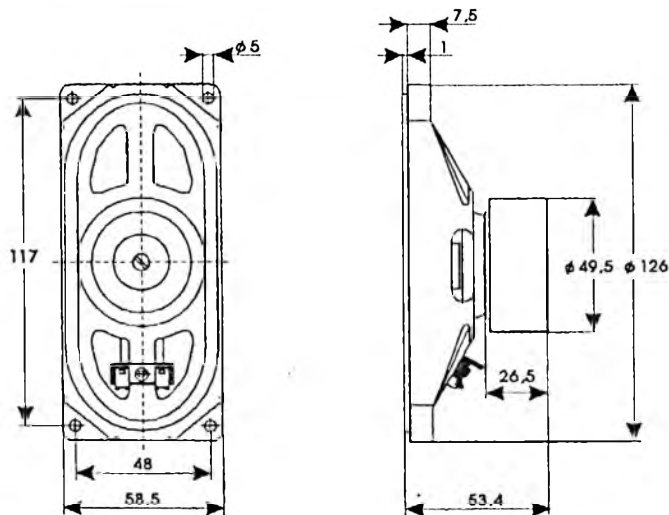
TECHNICAL DATA

Rated impedance	8	Ω
Voice coil resistance	6,8	Ω
Rated frequency range	140 to 15000	Hz
Resonance frequency	140	Hz
Power handling capacity / loudspeaker unmounted , 100 h continuous /	10	W
Max. power	15	W
Sensitivity	84	dB
Flux density	0,72	T
Energy in air gap	34,8	mJ
Air - gap	14/4/0,91	mm
Voice coil height	5,3	mm
Magnet		
- material	ferrite	
- dimensions	2x39/22,5/9	mm
- mass	2x0,036	kg
Mass of loudspeaker	0,26	kg

The loudspeaker has a paper cone, a foam surround and a nomex coil former.
Connection is by 2,8 mm x 0,5 mm tag connectors or by soldering.

AVAILABLE VERSIONS

- GD 6-13/10 - 8Ω, catalogue number 9 5111 034 02



FREQUENCY RESPONSE CURVE
Measured in anechoic room at 1W/1m. Loudspeaker mounted on IEC baffle.