

# FULL RANGE LOUDSPEAKER GD 5-9/5/1

9 5111 049

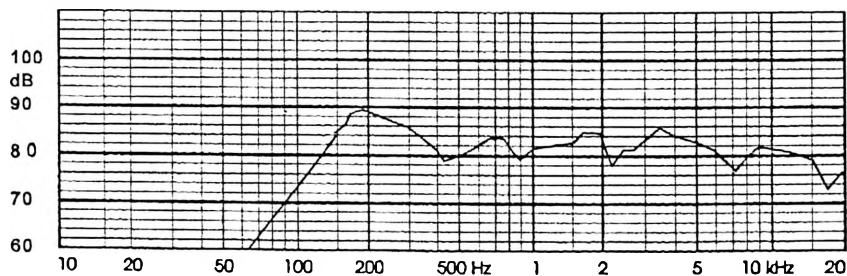
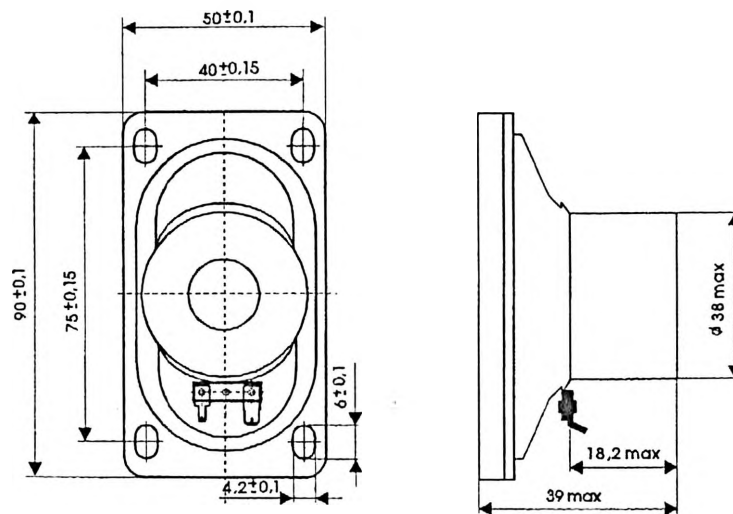
## TECHNICAL DATA

Rated impedance	8	Ω
Voice coil resistance	7,2	Ω
Rated frequency range	120 to 15000	Hz
Resonance frequency	180	Hz
Power handling capacity / loudspeaker unmounted , 100 h continuous /	5	W
Max. power	7	W
Sensitivity	82	dB
Flux density	0,6	T
Energy in air gap	29,27	mJ
Air - gap	14/2,5/0,8	mm
Voice coil height	4,6	mm
Magnet		
- material	ferrite	
- dimensions	2x32/18/6	mm
- mass	2x0,017	kg
Mass of loudspeaker	0,123	kg

## AVAILABLE VERSIONS

- GD 5-9/5/1 - 8 Ω 9511104901

Connection is by 5,2x0,5mm and 2,8x0,5mm tag connectors or by soldering.



FREQUENCY RESPONSE CURVE

Measured in anechoic room at 1W/1m. Loudspeaker mounted on IEC baffle.