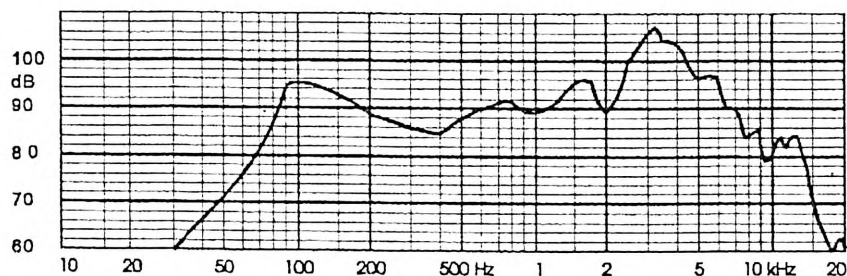
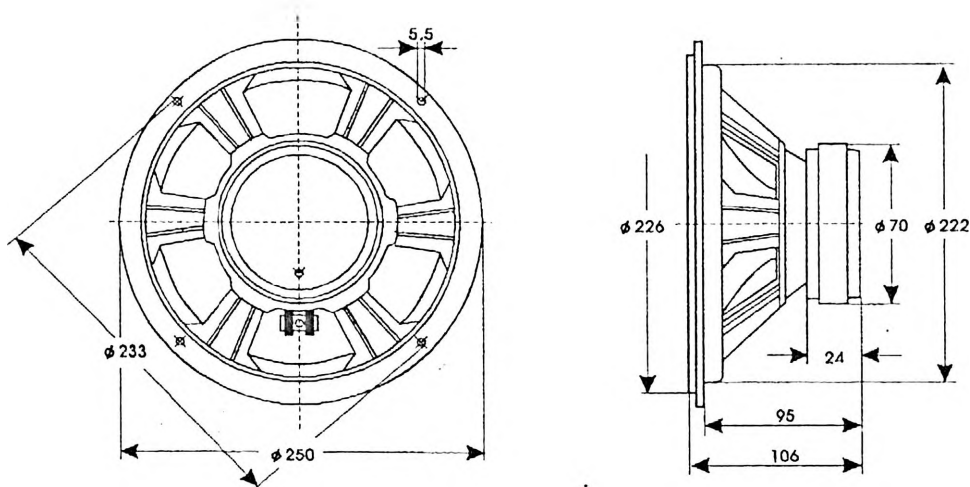


FULL RANGE LOUDSPEAKER GD 25/50 GUITAR

TECHNICAL DATA

Rated impedance	8	Ω
Voice coil resistance	7,2	Ω
Rated frequency range	100 to 6000	Hz
Resonance frequency	100	Hz
Power handling capacity / loudspeaker unmounted , 100 h continuous /	30	W
Max. power	50	W
Sensitivity	94	dB
Flux density	0,9	T
Energy in air gap	124	mJ
Air - gap	25/4,6/1	mm
Voice coil height	8,3	mm
Magnet		
- material	ferrite	
- dimensions	70/32/15	mm
- mass	0,23	kg
Mass of loudspeaker	1,0	kg

Connection is by 2,8 mm x 0,8 mm and 4,8 x 0,8 tag connectors or by soldering.



FREQUENCY RESPONSE CURVE

Measured in anechoic room at 1W/1m. Loudspeaker mounted on IEC baffle.