

# LOUDSPEAKER GD 16/40

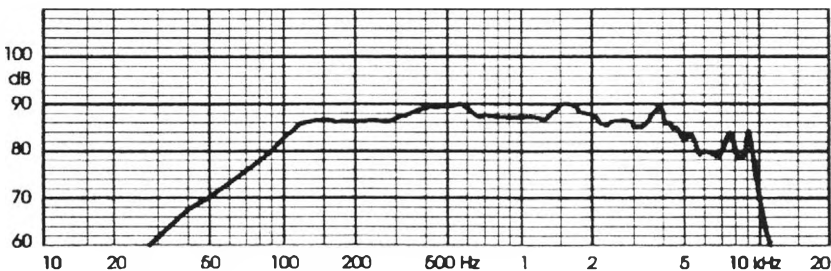
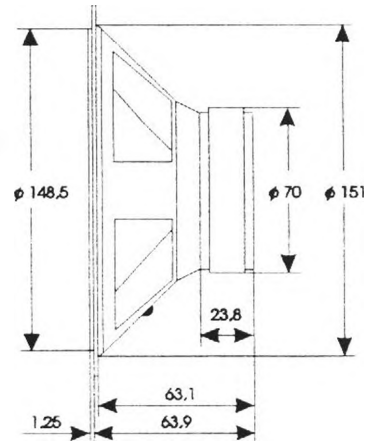
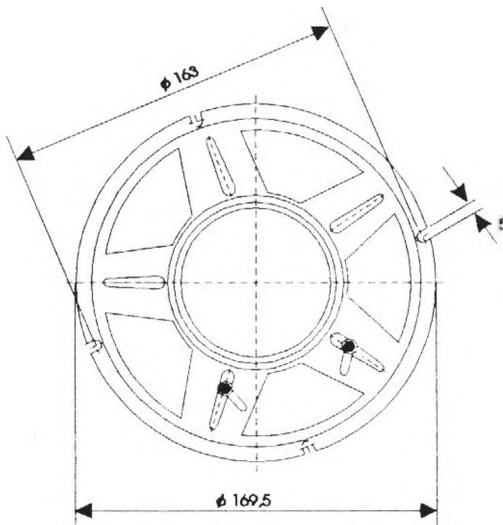
9 5157 035

## TECHNICAL DATA

Rated impedance	8	Ω
Voice coil resistance	7,3	Ω
Rated frequency range	85 to 8000	Hz
Resonance frequency	65	Hz
Power handling capacity / enclosure 9 dm <sup>3</sup> , 100 h continuous /	35	W
Max. power	60	W
Sensitivity	89	dB
Flux density	0,73	T
Energy in air gap	77,45	mJ
Force factor - Bl	6,52	Tm
Piston area - S <sub>D</sub>	0,013	m <sup>2</sup>
Total moving mass - M <sub>MS</sub>	9,8x10 <sup>-3</sup>	kg
Compliance /loudspeaker unmounted/ - C <sub>MS</sub>	90,2x10 <sup>-5</sup>	m/N
Equivalent box volume - V <sub>AS</sub>	0,023	m <sup>3</sup>
Quality factor /loudspeaker unmounted/		
- mechanical - Q <sub>MS</sub>	2,963	
- electrical - Q <sub>ES</sub>	0,563	
- total - Q <sub>TS</sub>	0,473	
Air - gap	25/4,6/1,45	mm
Voice coil height	7,4	mm
Magnet		
- material	ferrite	
- dimensions	70/32/15	mm
- mass	0,23	kg
Mass of loudspeaker	0,65	kg

## AVAILABLE VERSIONS

- GD 16/40 - 8Ω, catalogue number 9 5157 035 01



FREQUENCY RESPONSE CURVE

Measured in anechoic room at 1W/1m. Loudspeaker mounted in sealed 9 dm<sup>3</sup> enclosure.