

FULL RANGE LOUDSPEAKER GD 12/8/2

9 5111 026

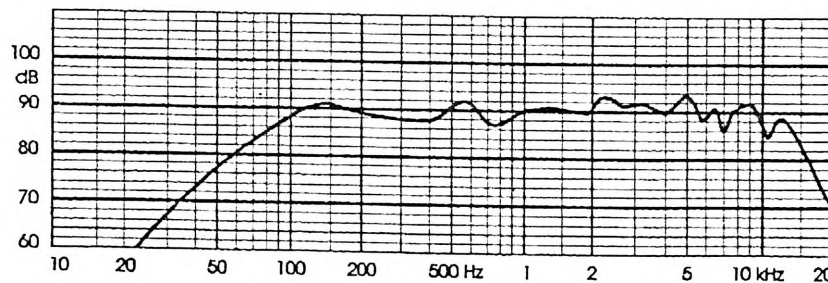
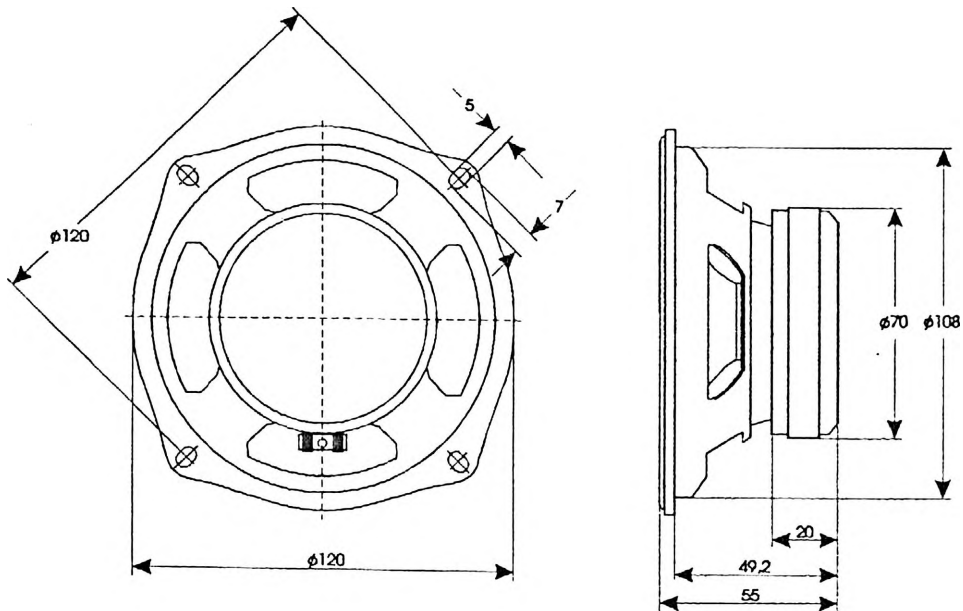
TECHNICAL DATA

Rated impedance	4 Ω
Voice coil resistance	3,3 Ω
Rated frequency range	105 to 10000 Hz
Resonance frequency	105 Hz
Power handling capacity, /enclosure 5 dm ³ , 100h, continuous/	8 W
Max. power	12 W
Sensitivity	90 dB
Flux density	0,88 T
Energy in air gap	86,3 mJ
Air - gap	20/4,6/0,95 mm
Voice coil height	5,6 mm
Magnet	
- material	ferrite
- dimensions	70/32/10 mm
- mass	0,150 kg
Mass of loudspeaker	0,550 kg

The loudspeaker has a paper cone and a foam surround.

AVAILABLE VERSIONS

- GD 12/8/2 - 8 Ω , catalogue number 9 5111 026 01 - 04
- GD 12/8/2 - 4 Ω , catalogue number 9 5111 026 05 - 08



FREQUENCY RESPONSE CURVE
Measured in anechoic room at 1W/1m. Loudspeaker mounted
on IEC baffle