

FULL RANGE LOUDSPEAKER GD 10/18

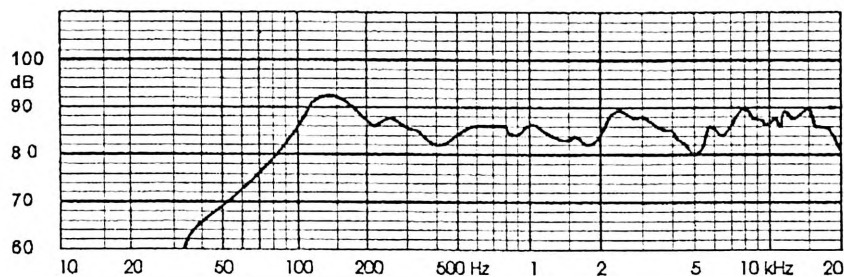
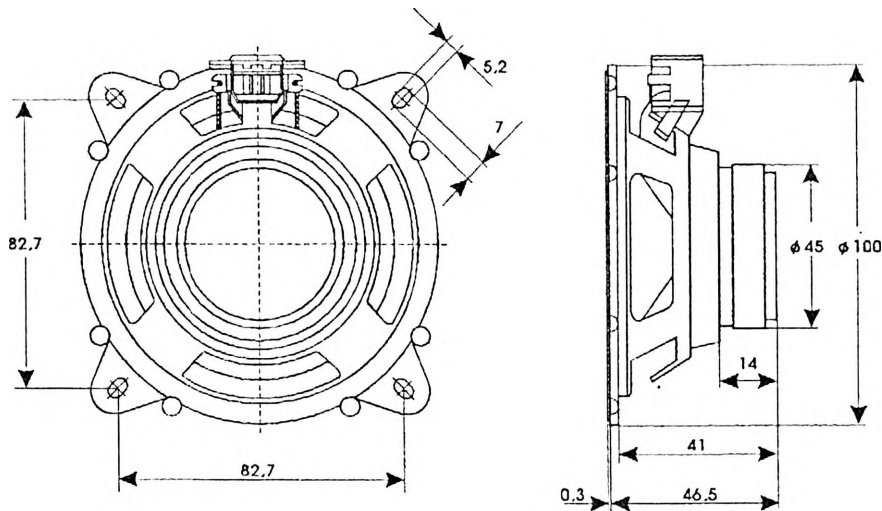
9 5157 084

TECHNICAL DATA

Rated impedance	4	Ω
Voice coil resistance	3,8	Ω
Rated frequency range	80 to 20000	Hz
Resonance frequency	115	Hz
Power handling capacity / loudspeaker unmounted, 100 h continuous /	18	W
Max. power	35	W
Sensitivity	86	dB
Flux density	0,79	T
Energy in air gap	26,7	mJ
Air - gap	14/3/0,775	mm
Voice coil height	5	mm
Magnet		
- material	ferrite	
- dimensions	45/22/8	mm
- mass	0,048	kg
Mass of loudspeaker	0,201	kg

AVAILABLE VERSIONS

- GD 10/18 - 4Ω, catalogue number 9 5157 084 01



FREQUENCY RESPONSE CURVE

Measured in anechoic room at 1W/1m. Loudspeaker mounted on IEC baffle.