

# FULL RANGE LOUDSPEAKER GD 10/1,5

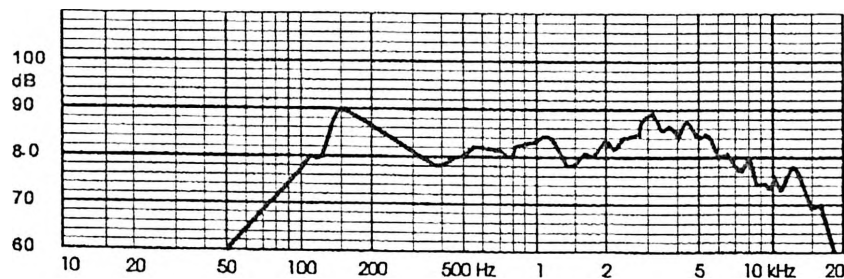
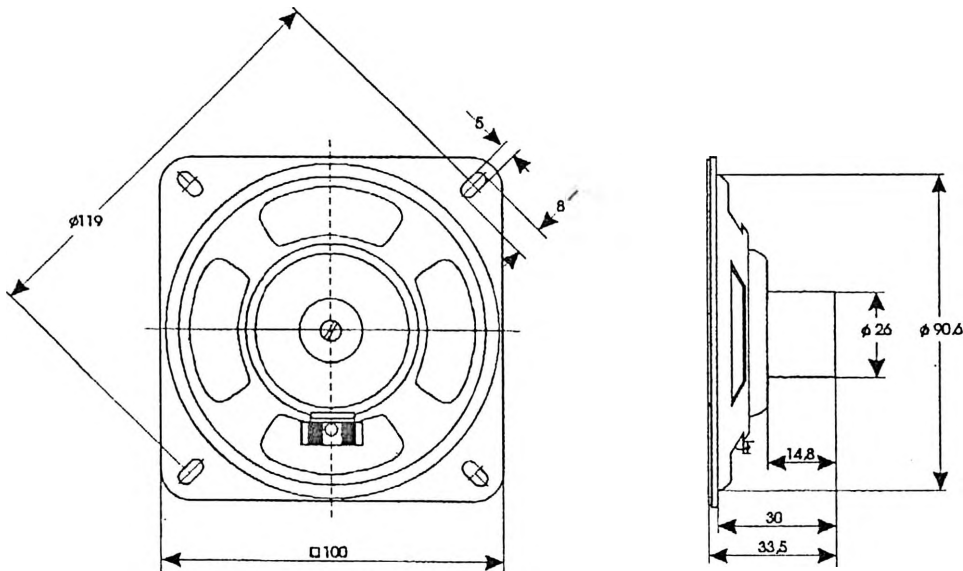
9 5115 002

## TECHNICAL DATA

Rated impedance	4	8	25	Ω
Voice coil resistance	3,6	6,9	22,7	Ω
Rated frequency range	120 to 7000			Hz
Resonance frequency	170			Hz
Power handling capacity / loudspeaker unmounted, 100h continuous/	1,5			W
Max. power	2			W
Sensitivity	89		87	dB
Flux density	0,51			T
Energy in air gap	16,4		14,6	mJ
Air - gap	14/4,5/0,76			mm
Voice coil height	5,3	4,8	5,5	mm
Magnet	cobalt			
- material	13,98 x 13			mm
- dimensions	14,4 x 10 <sup>-3</sup>			kg
- mass	0,12			kg
Mass of loudspeaker				

## AVAILABLE VERSIONS

- GD 10/1,5 - 4Ω, catalogue number 9 5115 002 02
- GD 10/1,5 - 8Ω, catalogue number 9 5115 002 01
- GD 10/1,5 - 15Ω, catalogue number 9 5115 002 04



FREQUENCY RESPONSE CURVE

Measured in anechoic room at 0,1W/0,5m. Loudspeaker mounted on IEC baffle.