

FRS8-8

Visaton 8 cm (3.3") HiFi fullrange driver (2004)

[BACK](#)



General description

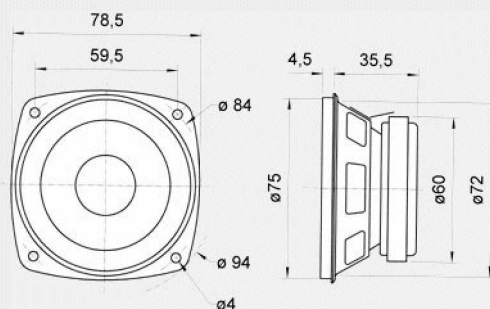
8 cm (3.3") HiFi fullrange driver. Linear frequency response between 200 and 20.000 Hz. Suitable for sur-round effect speakers, mini sub/sat systems. Due to the small size very suitable for model construction and as control speaker for electronic devices.

Typical applications:

- Control speaker for electronic devices
- Ceiling-mounted speakers in railway carriages and busses
- Mini Hi-fi systems
- Model construction

Technical Data:

Rated power	30 Watt
Maximum power	50 Watt
Nominal impedance	8 Ohm
Frequency response (-10 dB)	100 - 20000 Hz
Mean sound pressure level	82 dB (1W/1m)
Maximum cone displacement	5 mm
Resonance frequency f_s	120 Hz
Magnetic induction	0,8 Tesla
Magnetic flux	200 μ Weber
Height of front pole-plate	4 mm
Voice coil diameter	2 cm
Height of winding	0,6 cm
Cutout diameter	7,3 cm
Net weight	0,28 kg
D.C. resistance R_{dc}	7,2 Ohm
Mechanical Q factor Q_{ms}	4,85
Electrical Q factor Q_{es}	1,32
Total Q factor Q_{ts}	1,04
Equivalent volume V_{as}	0,9 l
Effective piston area S_d	31 cm ²
Dynamically moved mass M_{ms}	2,5 g
Force factor B_{fl}	3,2 T · m
Inductance of the voice coil L	0,85 mH



drawing

Visaton FRS 8 - 8 Ohm

Frequenzgang und Impedanz

