

FRS8-4

Visaton 8 cm (3.3") HiFi fullrange driver (2003)

[BACK](#)



General description

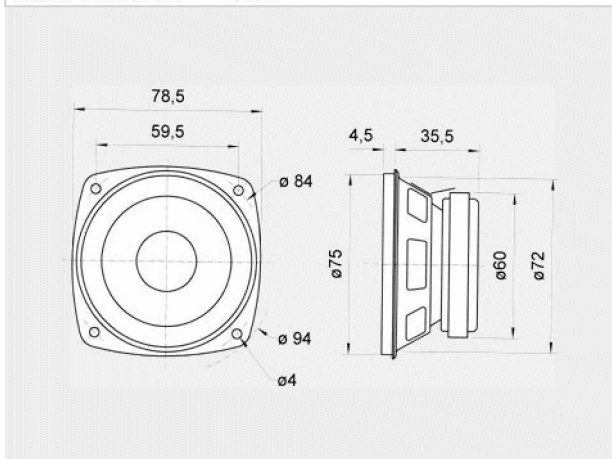
8 cm (3.3") HiFi fullrange driver. Linear frequency response between 200 and 20.000 Hz. Suitable for surround effect speakers, mini sub/sat systems. Due to the small size very suitable for model construction and as control speaker for electronic devices.

Typical applications:

- Control speaker for electronic devices
- Ceiling-mounted speakers in railway carriages and busses
- Mini Hi-fi systems
- Model construction

Technical Data:

Rated power	30 Watt
Maximum power	50 Watt
Nominal impedance	4 Ohm
Frequency response (-10 dB)	100 - 20000 Hz
Mean sound pressure level	82 dB (1W/1m)
Maximum cone displacement	5 mm
Resonance frequency fs	115 Hz
Magnetic induction	0,8 Tesla
Magnetic flux	200 μ Weber
Height of front pole-plate	4 mm
Voice coil diameter	2 cm
Height of winding	0,6 cm
Cutout diameter	7,3 cm
Net weight	0,28 kg
D.C. resistance Rdc	3,5 Ohm
Mechanical Q factor Qms	3,61
Electrical Q factor Qes	0,85
Total Q factor Qts	0,69
Equivalent volume Vas	1 l
Effective piston area Sd	31 cm ²
Dynamically moved mass Mms	2,5 g
Force factor Bxl	2,2 T · m
Inductance of the voice coil L	0,43 mH



drawing

Visaton FRS 8 - 4 Ohm

Frequenzgang und Impedanz

