

MODEL: CSS-50508N | **DESCRIPTION:** SPEAKER

FEATURES

- paper cone
- 380 Hz resonant frequency
- Nd-Fe-B magnet


SPECIFICATIONS

parameter	conditions/description	min	typ	max	units
input power	maximum power: IEC-60268-5, filter 60s on/120s off, 10 cycles at room temp		0.25	0.5	W
impedance	at 800 Hz	6.8	8	9.2	Ω
resonant frequency (Fo)	at 1.0 V	304	380	456	Hz
frequency response	output SPL -10 dB	Fo		3,200	Hz
sound pressure level	at 0.25 W, 0.5 m ave, at 1.0, 1.4, 1.7, 2.0 kHz	82	85	88	dB
distortion	at 1.0 kHz, 0.25 W			10	%
buzz, rattle, etc.	must be normal at sine wave between Fo ~ 20,000 Hz		1.41		V
dimensions	50.5 x 50.5 x 17.2				mm
magnet	Nd-Fe-B				
material	metal				
cone material	paper				
terminal	solder terminals				
weight			52		g
operating temperature		-20		55	$^{\circ}$ C
storage temperature		-30		70	$^{\circ}$ C
RoHS	2011/65/EU				

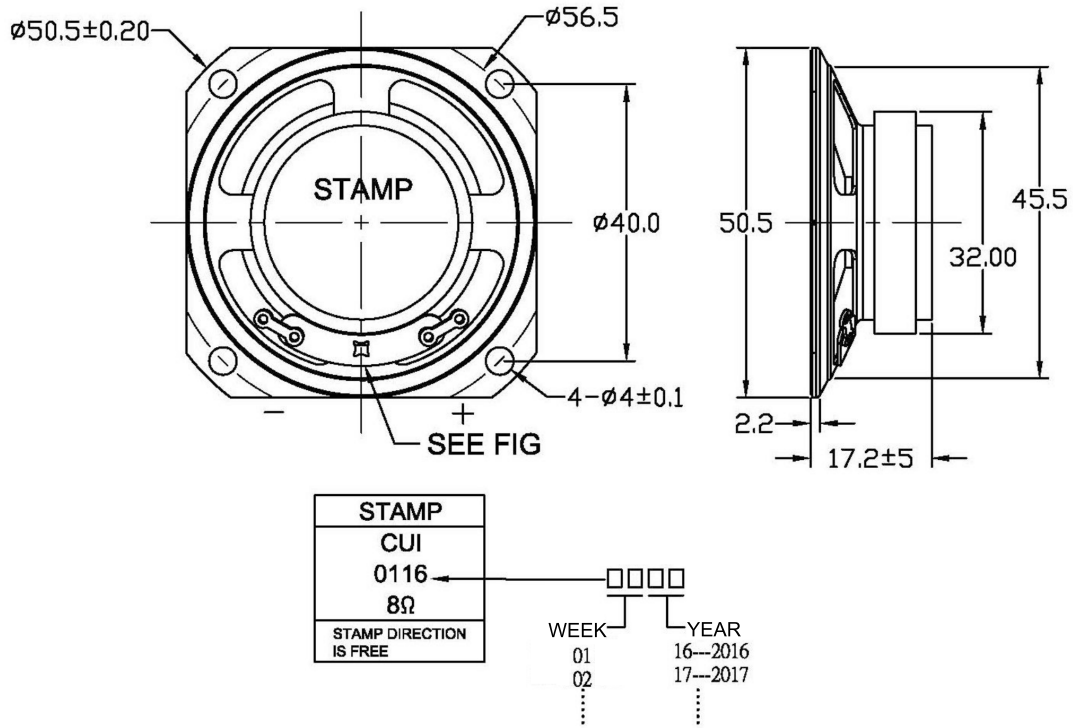
Notes: 1. All specifications measured at 15~35 $^{\circ}$ C, humidity at 45~85%, under 86~106 kPa pressure, unless otherwise noted.

SOLDERABILITY

parameter	conditions/description	min	typ	max	units
hand soldering	for 3 \pm 1 seconds	360	370	380	$^{\circ}$ C

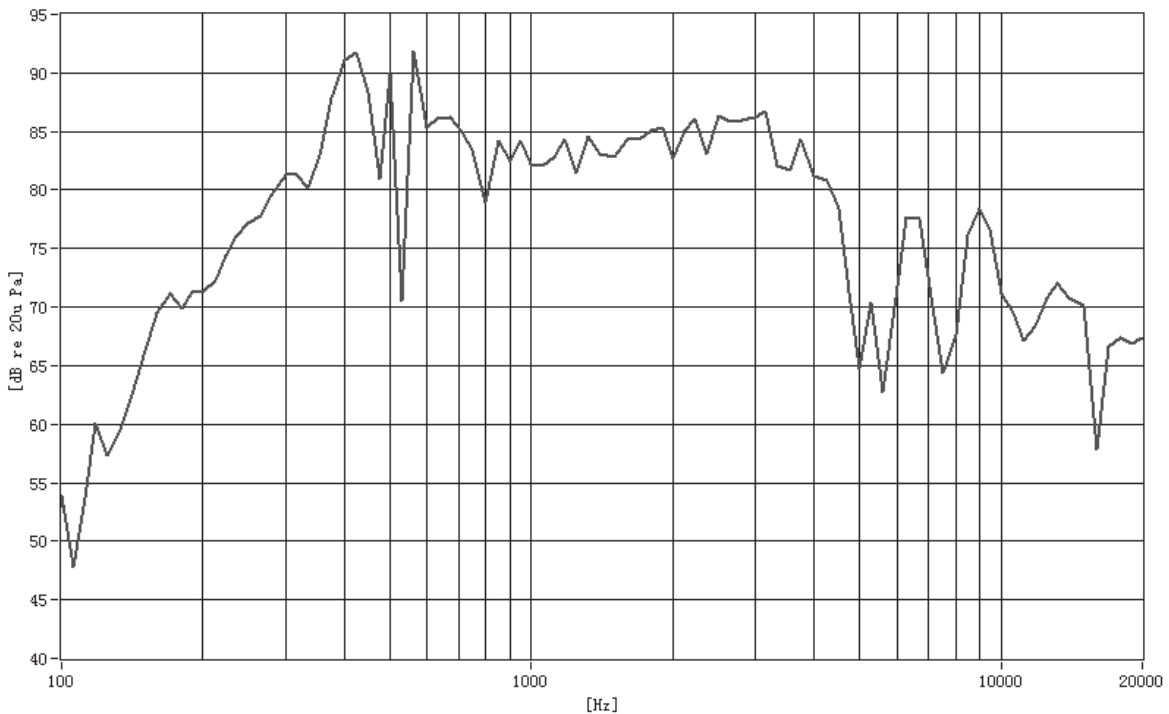
MECHANICAL DRAWING

units: mm
tolerance: ±0.2 mm



FREQUENCY RESPONSE CURVE

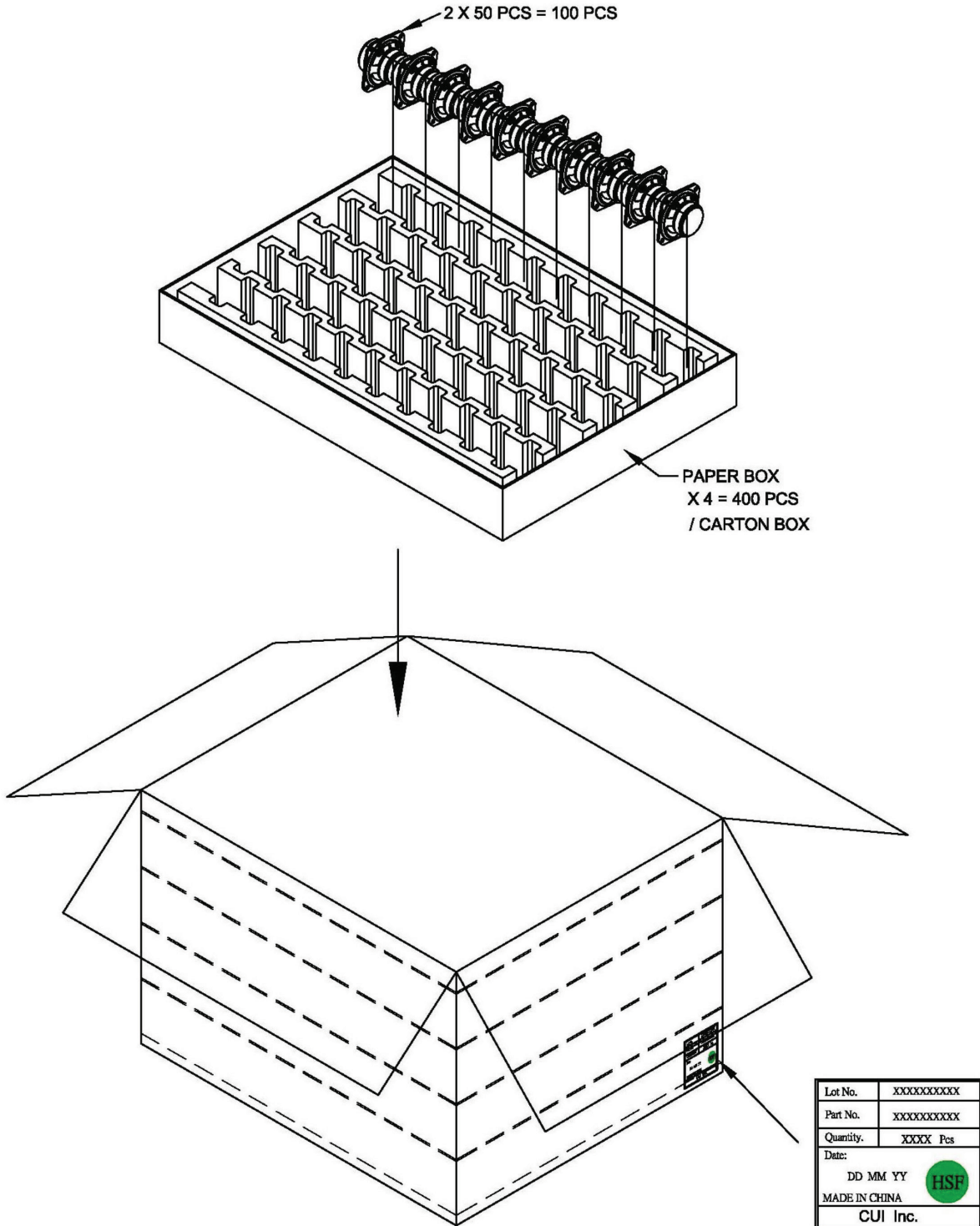
Frequency Response.Magn dB re 20.00 μ PA (at 0.25 W / 0.5 m)



PACKAGING

units: mm

Carton Size: 478 x 303 x 222 mm
Paper box QTY: 100 pcs per box
Carton QTY: 400 pcs per carton



REVISION HISTORY

rev.	description	date
1.0	initial release	06/23/2016

The revision history provided is for informational purposes only and is believed to be accurate.



CUI INC[®]

Headquarters
20050 SW 112th Ave.
Tualatin, OR 97062
800.275.4899

Fax 503.612.2383
cui.com
techsupport@cui.com

CUI offers a one (1) year limited warranty. Complete warranty information is listed on our website.

CUI reserves the right to make changes to the product at any time without notice. Information provided by CUI is believed to be accurate and reliable. However, no responsibility is assumed by CUI for its use, nor for any infringements of patents or other rights of third parties which may result from its use.

CUI products are not authorized or warranted for use as critical components in equipment that requires an extremely high level of reliability. A critical component is any component of a life support device or system whose failure to perform can be reasonably expected to cause the failure of the life support device or system, or to affect its safety or effectiveness.