



PART NUMBER: CMS0461KLX

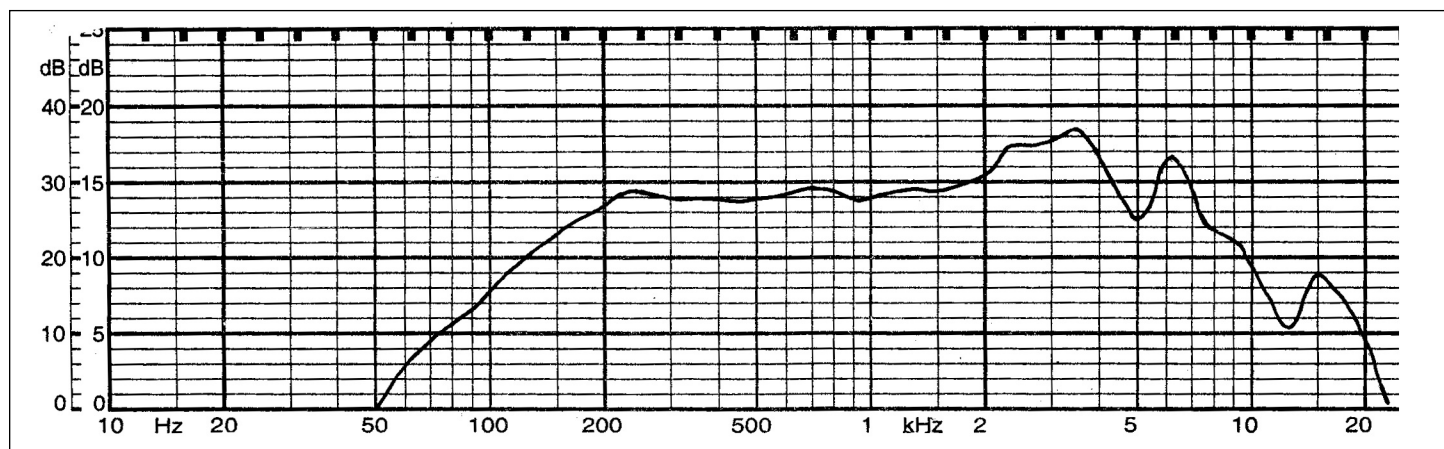
DESCRIPTION: speaker

SPECIFICATIONS

nominal size	46 x 46 x 22.8 mm		
impedance	8 Ohm \pm 15%	at	1 kHz 1 V
resonant frequency	160 Hz \pm 32 Hz	at	1 V
sound pressure level	88 dB/W \pm 3 dB	1 W	50 cm ave. at 0.5 k, 0.6 k, 0.8 k, 1 k Hz
response	Fo Hz ~ 18 kHz max 10 dB		
input power	nominal 2 W	handling capacity	4 W
operation	must be normal at program source 2 W		
buzz, rattle, etc.	must be normal at sine wave 4 V		
magnet	size: 18.5 x 4.5 mm		
load test	white noise 2 W	for	24 hours
heat test	55 \pm 2° C	20-50% R.H.	24 hours
humidity test	40 \pm 2° C	90-95% R.H.	24 hours

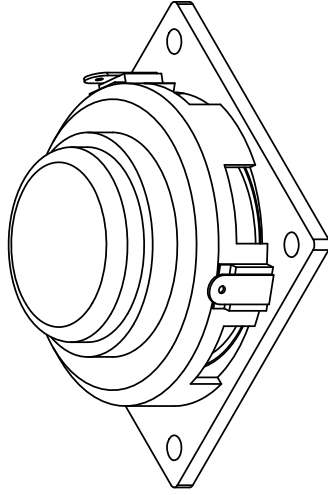
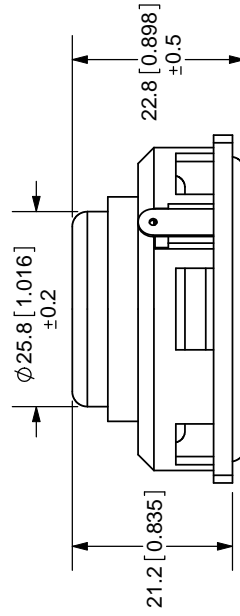
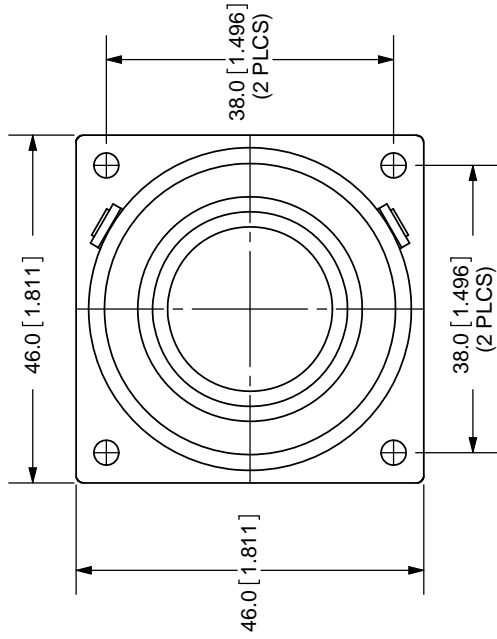
FREQUENCY RESPONSE CURVE

potentiometer range	50 dB
rectifier	RMS
lower limit frequency	20 Hz
wr. speed	100 mm/sec



zero level 60 dB

REV. A	DESCRIPTION NEW DRAWING	DATE 12/5/2008
-----------	----------------------------	-------------------



TOLERANCE:
±0.3mm UNLESS OTHERWISE
SPECIFIED



CUI INC

20050 SW 112th Ave.
Tualatin, OR 97062
Phone: 503-612-2300
800-275-4899
Fax: 503-612-2383
Website: www.cui.com

TITLE: MINIATURE MONITOR SPEAKER	REV: A
PART NO: CMS0461KLX	UNITS: MM [INCHES]
DRAWN BY: ZRJ	APPROVED BY:
	SCALE: 1:1