

MODEL: CMS-35208N | **DESCRIPTION:** SPEAKER

FEATURES

- 98 dB SPL
- 720 Hz resonant frequency
- Nd-Fe-B magnet


SPECIFICATIONS

| parameter | conditions/description | min | typ | max | units |
|-------------------------|--|-----|------|-------|--------------|
| input power | maximum power: IEC-60268-5, filter 60s on/120s off, 10 cycles at room temp | | 1.0 | 1.5 | W |
| impedance | at 1.0 kHz, 1.0 V | 6.8 | 8 | 9.2 | Ω |
| resonant frequency (Fo) | at 1.0 V | 576 | 720 | 864 | Hz |
| frequency response | | Fo | | 2,500 | Hz |
| sound pressure level | at 1.0 W, 0.1 m ave, at 1.0, 1.2, 1.5, 2.0 kHz | 95 | 98 | 101 | dB |
| distortion | at 1.0 kHz, 1 W | | | 15 | % |
| buzz, rattle, etc. | must be normal at sine wave between Fo ~ 2,500 Hz | | 2.83 | | V |
| dimensions | 35.5 x 20.5 x 8.0 | | | | mm |
| magnet | Nd-Fe-B (\varnothing 11 x 1.5 mm) | | | | |
| material | ABS UL-94 1/16" HB | | | | |
| cone material | cloth | | | | |
| terminal | solder terminals | | | | |
| weight | | | 5.9 | | g |
| operating temperature | | -20 | | 60 | $^{\circ}$ C |
| storage temperature | | -20 | | 60 | $^{\circ}$ C |
| RoHS | 2011/65/EU | | | | |

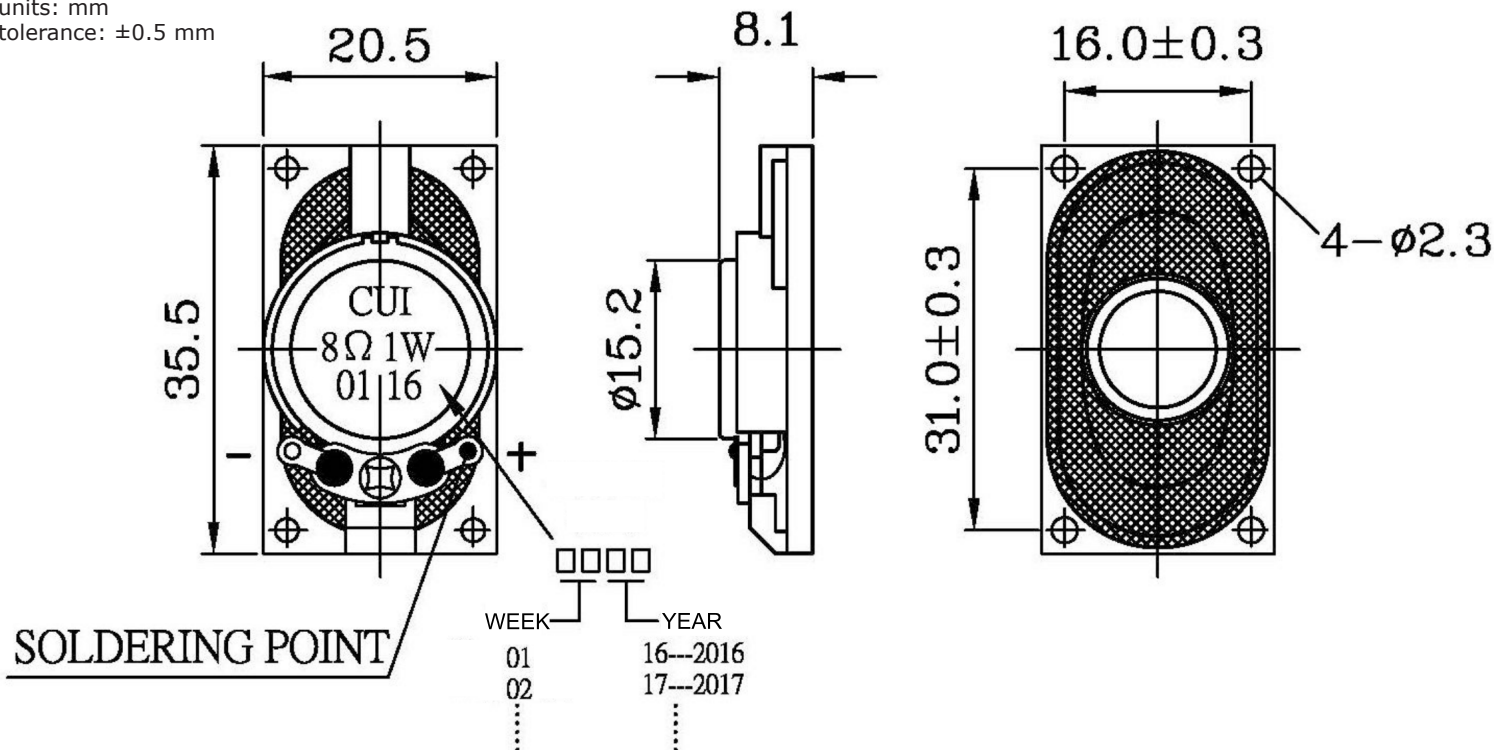
Notes: 1. All specifications measured at 5~35 $^{\circ}$ C, humidity at 45~85%, under 86~106 kPa pressure, unless otherwise noted.

SOLDERABILITY

| parameter | conditions/description | min | typ | max | units |
|----------------|------------------------|-----|-----|-----|--------------|
| hand soldering | for 3 \pm 1 seconds | 360 | 370 | 380 | $^{\circ}$ C |

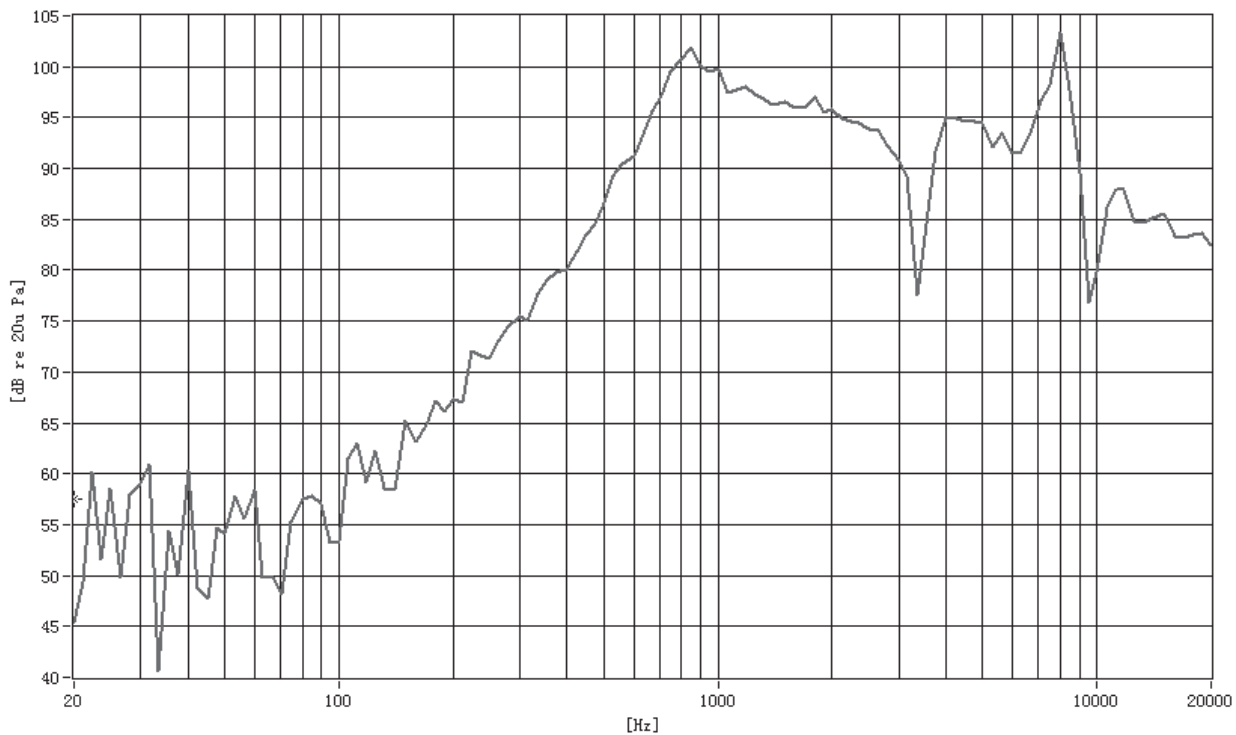
MECHANICAL DRAWING

units: mm
tolerance: ± 0.5 mm



FREQUENCY RESPONSE CURVE

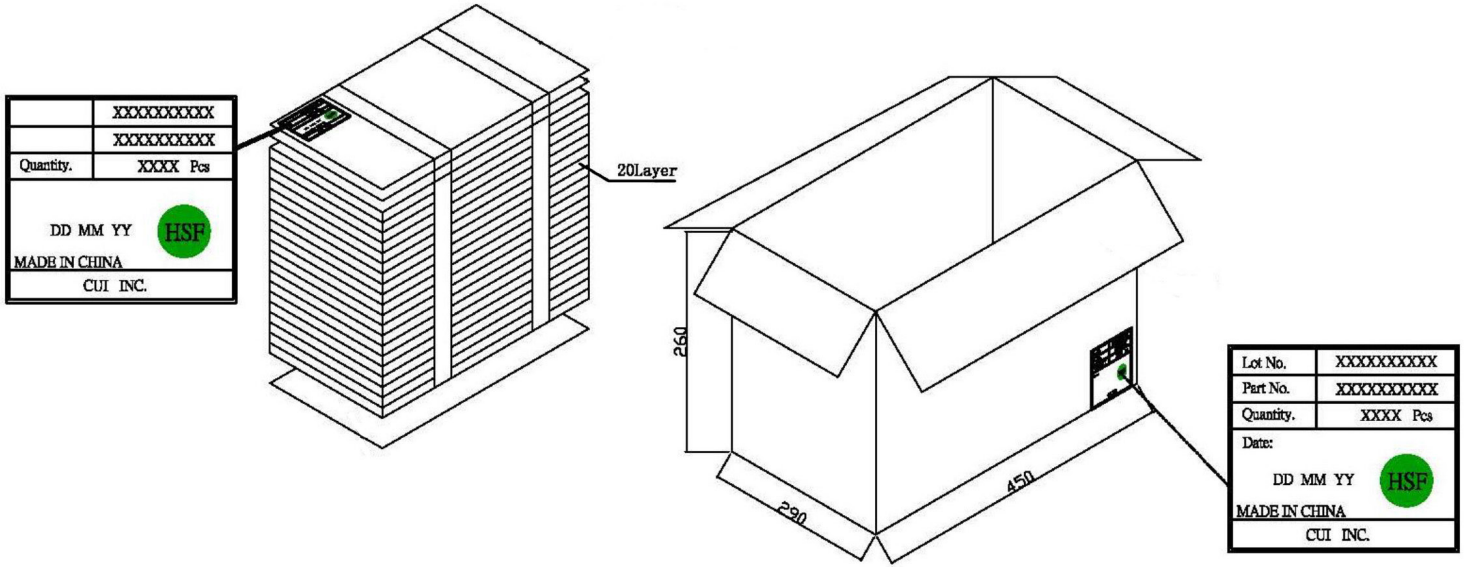
Frequency Response, Magn Db re 20,00 μ PA (at 1 W / 0.1 m)



PACKAGING

units: mm

Carton Size: 450 x 290 x 260 mm
 Carton QTY: 1,300 pcs per carton



REVISION HISTORY

| rev. | description | date |
|------|-----------------|------------|
| 1.0 | initial release | 06/21/2016 |

The revision history provided is for informational purposes only and is believed to be accurate.



CUI INC[®]

Headquarters
20050 SW 112th Ave.
Tualatin, OR 97062
800.275.4899

Fax 503.612.2383
cui.com
techsupport@cui.com

CUI offers a one (1) year limited warranty. Complete warranty information is listed on our website.

CUI reserves the right to make changes to the product at any time without notice. Information provided by CUI is believed to be accurate and reliable. However, no responsibility is assumed by CUI for its use, nor for any infringements of patents or other rights of third parties which may result from its use.

CUI products are not authorized or warranted for use as critical components in equipment that requires an extremely high level of reliability. A critical component is any component of a life support device or system whose failure to perform can be reasonably expected to cause the failure of the life support device or system, or to affect its safety or effectiveness.