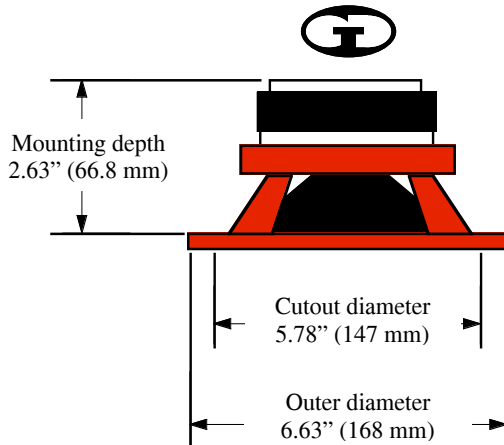


Specifications

Diameter: 6.5" (170mm)
Sensitivity: 91.3 dB
Power Handling: 80 Wrms (110W pk)
Frequency Response: 50 ~ 5000 hz
Nominal Impedance: 4 Ohms
Voice Coil Diameter: 1.0" (26mm)
Dimensions:

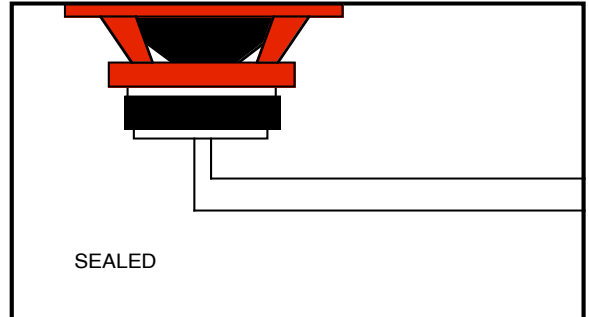


Thiele-Small Paramters

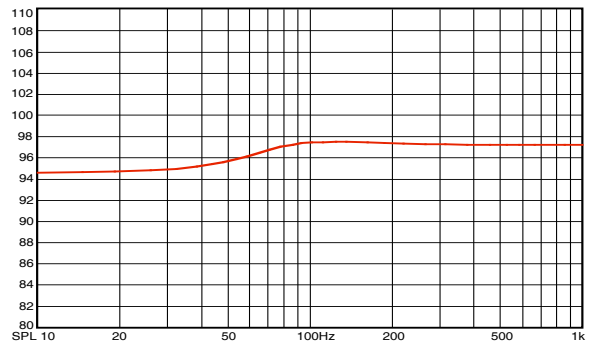
Free Air Resonance: 54 Hz
Voice Coil DC Resistance: 3.2 ohms
Voice Coil Inductance @ 1 kHz: 0.50 mH
Mechanical Q (Q_{ms}): 3.56
Electrical Q (Q_{es}): 0.653
Total Q (Q_{ts}): 0.552
Compliance Volume (V_{as}): 14.43 l
0.509 ft³
Moving mass, Diaphragm: 15.57 Gr
Driver Radiating Area (S_d): 135 cm²
20.93 In²
Motor Force Factor: 5.09 Tm

Note:
All sealed boxes greater than 0.5 cubic feet are allowable but with non-optimal bass response. Optimal setup for bass in a medium size cab is shown here.

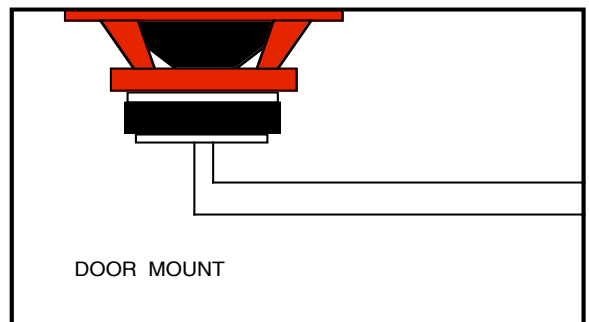
**Box Volume = 0.5 cu. Ft.
(8.5 liters) sealed**



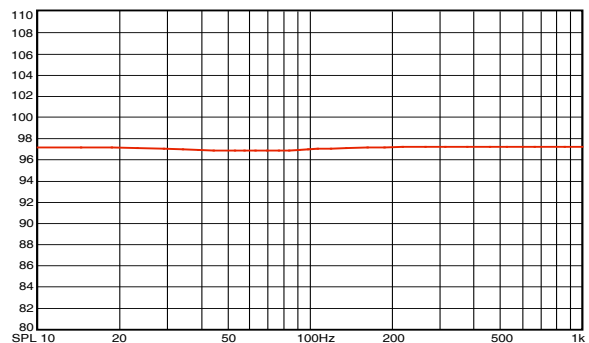
**Sealed Box
Frequency response @ 10 Watts**



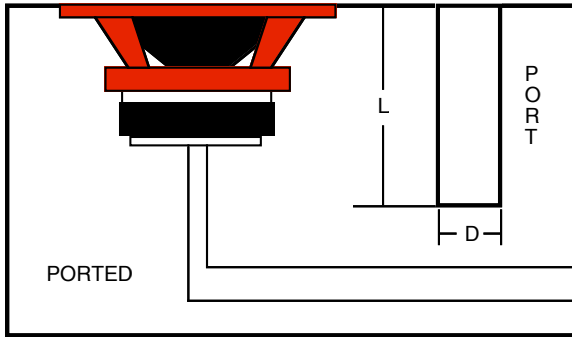
**Door Volume = 1.0cu. Ft.
(28.35 liters)**



**Door Mount
Frequency Response @ 10 Watts**



Box Volume = 0.45 cu. Ft. (12.75 liters)
Tuned to 40Hz Port = 2.0"d x 10.3"l



Ported Box
Frequency Response @ 10 Watts

